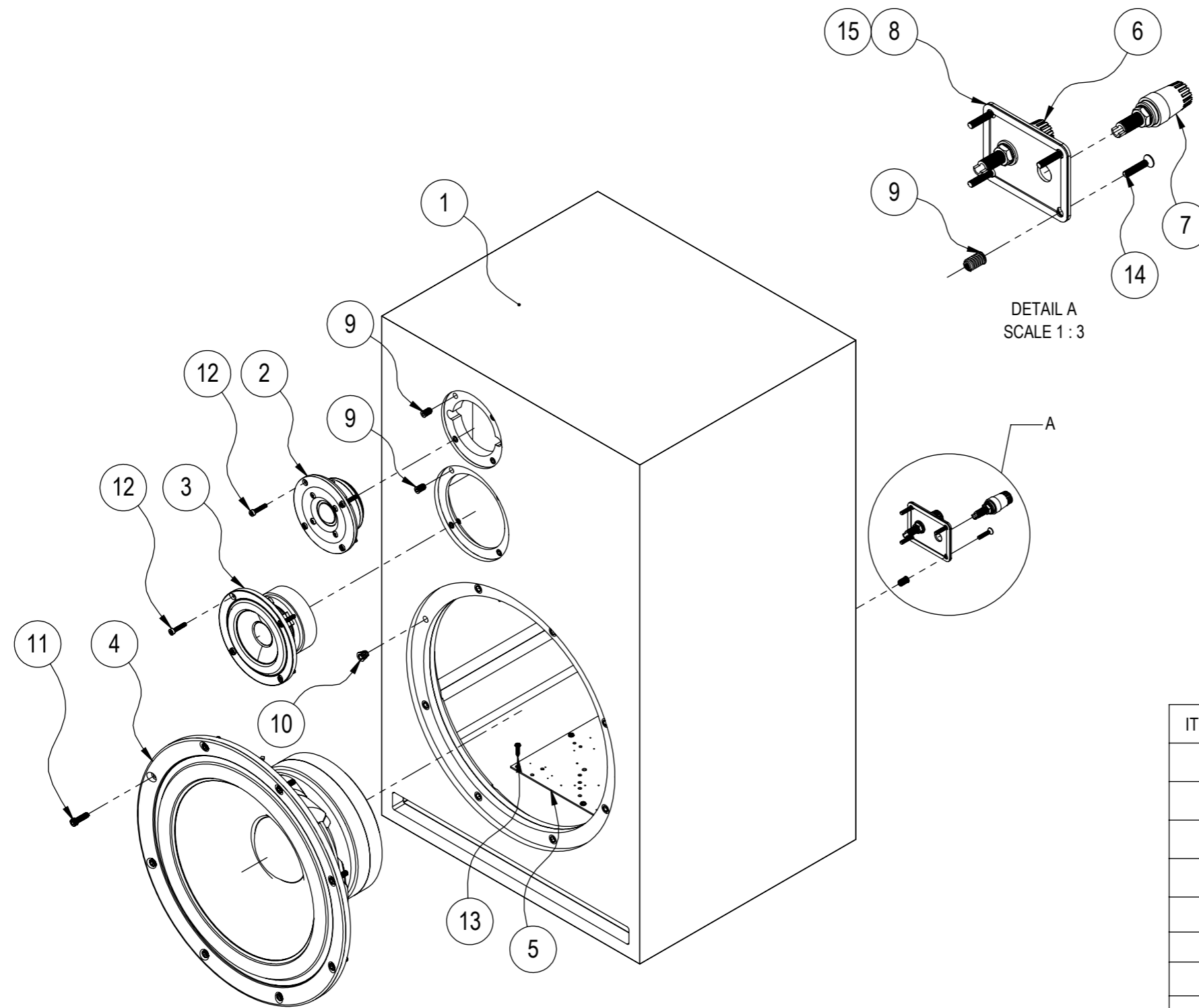


SB ACOUSTICS - GEMA (EXPLODED VIEW)



NOTE:

- All dimensions are before painting and veneer except depth
- Depth dimensions after painting should be same with drawing
- There is no defect on painting and veneer
- Paint and veneer thickness assumed 0.7 mm
- Left Cabinet shown, Left Cabinet is mirrored Right Cabinet

ITEM NO.	DESCRIPTION	QTY.
1	GEMA WALNUT CABINET	1
2	SB ACOUSTICS - SB26STAC-C000-4	1
3	SB ACOUSTICS - 4in SB12MNRX2-25-4	1
4	SB ACOUSTICS - 12in SB34NRXL75-8	1
5	GEMA CROSSOVER	1
6	BINDING POST (-) (BLACK)	1
7	BINDING POST (+) (RED)	1
8	STAINLESS STEEL TERMINAL PANEL	1
9	INSERT NUT M4	12
10	INSERT NUT M5	8
11	HEXAGON SOCKET SCREW 5X20MM (FOR DRIVER)	8
12	HEXAGON SOCKET SCREW 4X20MM (FOR DRIVER)	8
13	WOOD SCREW 4X16MM (FOR CROSSOVER)	9
14	COUNTERSUNK SCREW 4X20MM (FOR TERMINAL PLATE)	4
15	SEAL GASKET (FOR TERMINAL)	1

DAMPING MATERIAL B
 Dacron 9oz White Color T20mm
 Size: 110mm x 390mm
 (Stick on the top and bottom MID chamber) 3 pcs

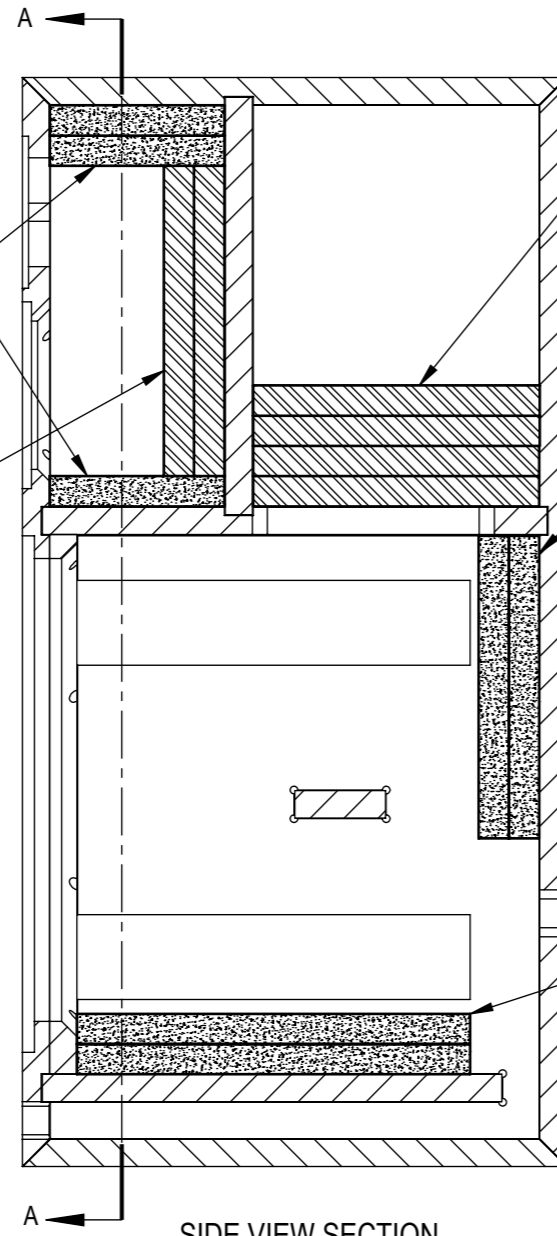
DAMPING MATERIAL C
 Dacron 9oz White Color T20mm
 Size: 220mm x 390mm
 (Stick on the rear MID chamber) 2 pcs

DAMPING MATERIAL A
 Dacron 9oz White Color T20mm
 Size: 190mm x 390mm
 (Stick on the top behind MID chamber) 4 pcs

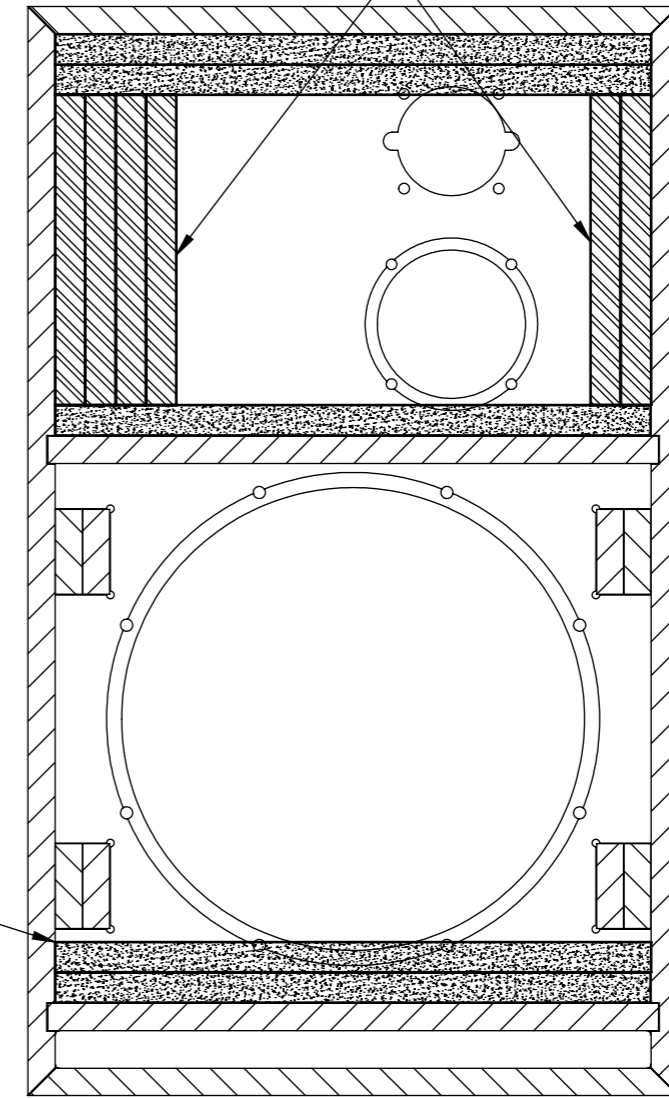
DAMPING MATERIAL E
 Dacron 9oz White Color T20mm
 Size: 200mm x 390mm
 (Stick on the rear of cabinet) 2 pcs

DAMPING MATERIAL F
 Dacron 9oz White Color T20mm
 Size: 260mm x 390mm
 (Stick on the bottom of cabinet) 2 pcs

DAMPING MATERIAL D
 Dacron 9oz White Color T20mm
 Size: 220mm x 900mm
 (Stick on the side MID chamber) 6 pcs



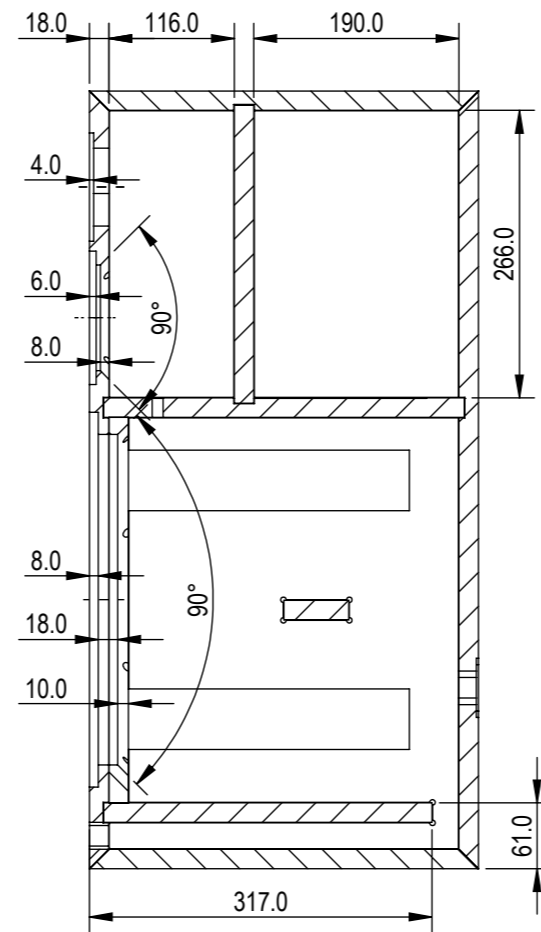
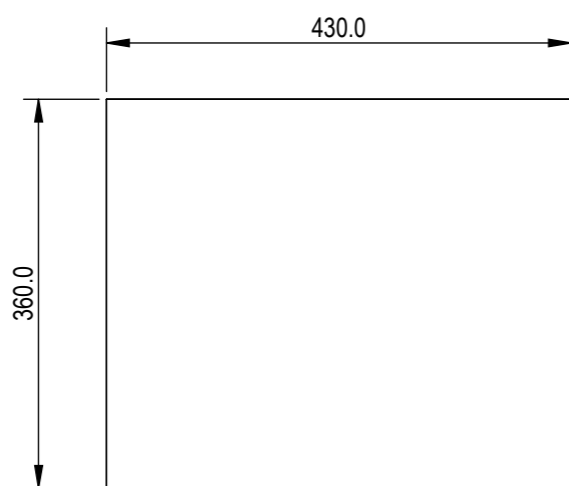
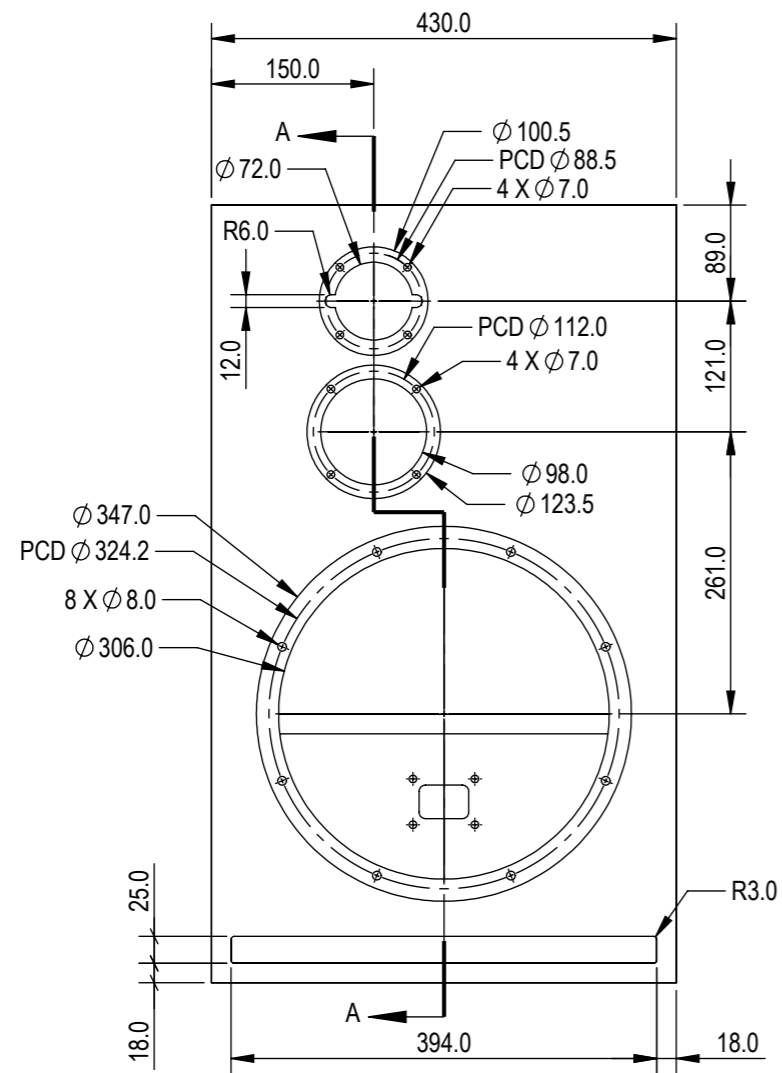
SIDE VIEW SECTION



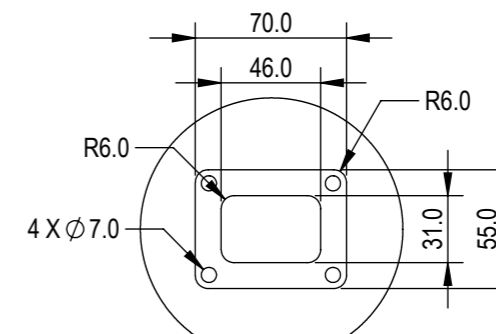
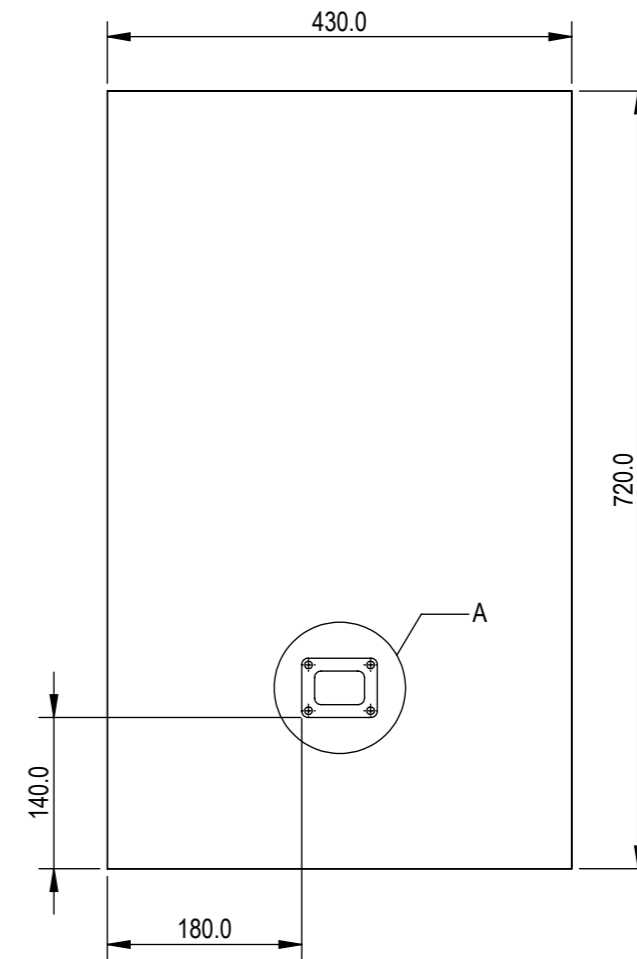
SECTION A-A
 REAR TO FRONT VIEW

LEFT CABINET SHOWN
 LEFT CABINET IS MIRRORED RIGHT CABINET

NO.	DESCRIPTION	QTY.
1	DACRON 190 x 390 x 20t mm (A)	4
2	DACRON 110 x 390 x 20t mm (B)	3
3	DACRON 220 x 390 x 20t mm (C)	2
4	DACRON 220 x 90 x 20t mm (D)	6
5	DACRON 200 x 390 x 20t mm (E)	2
6	DACRON 260 x 390 x 20t mm (F)	2



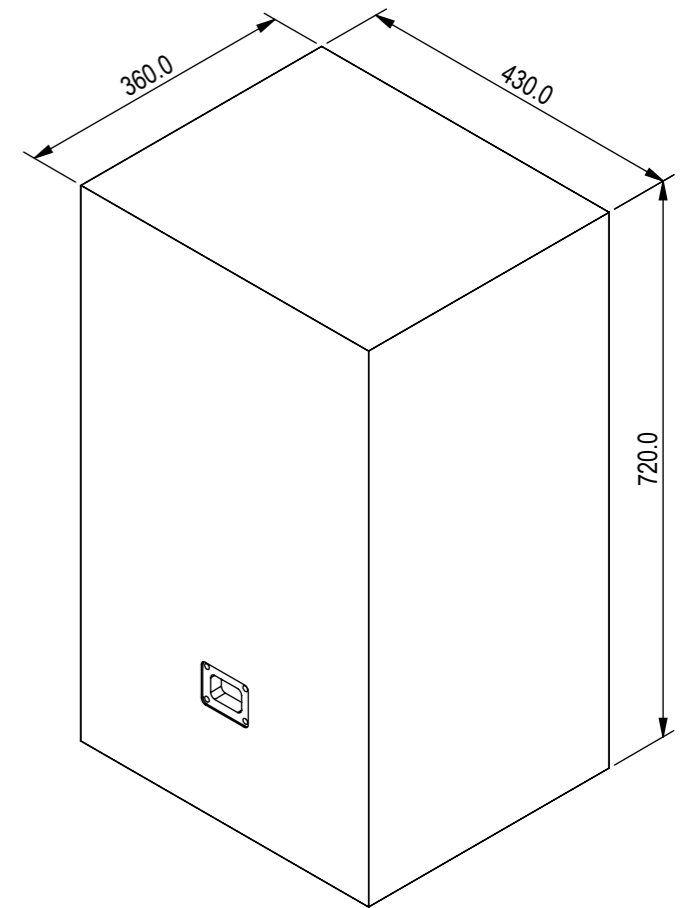
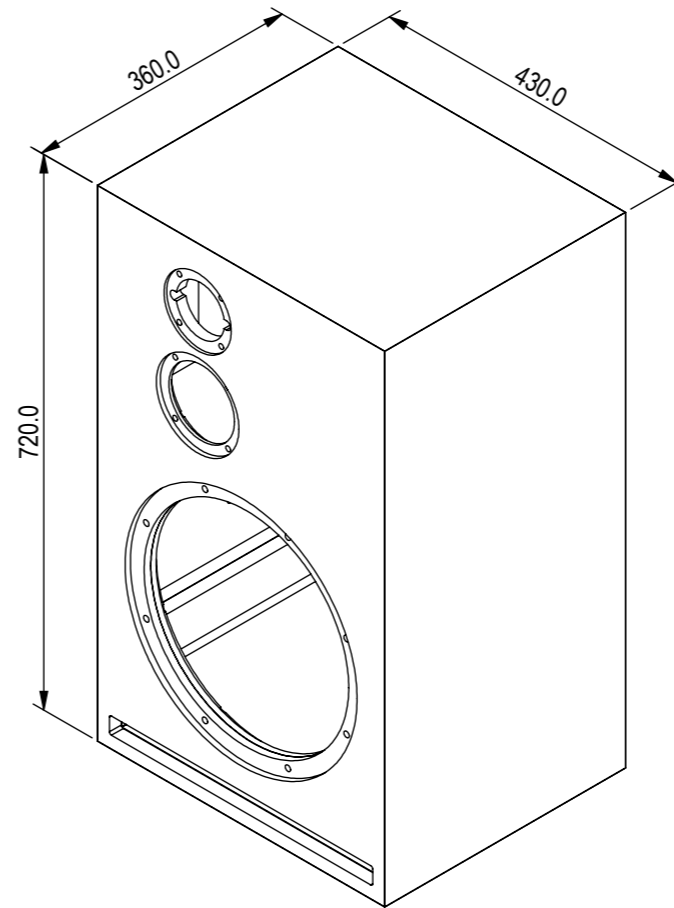
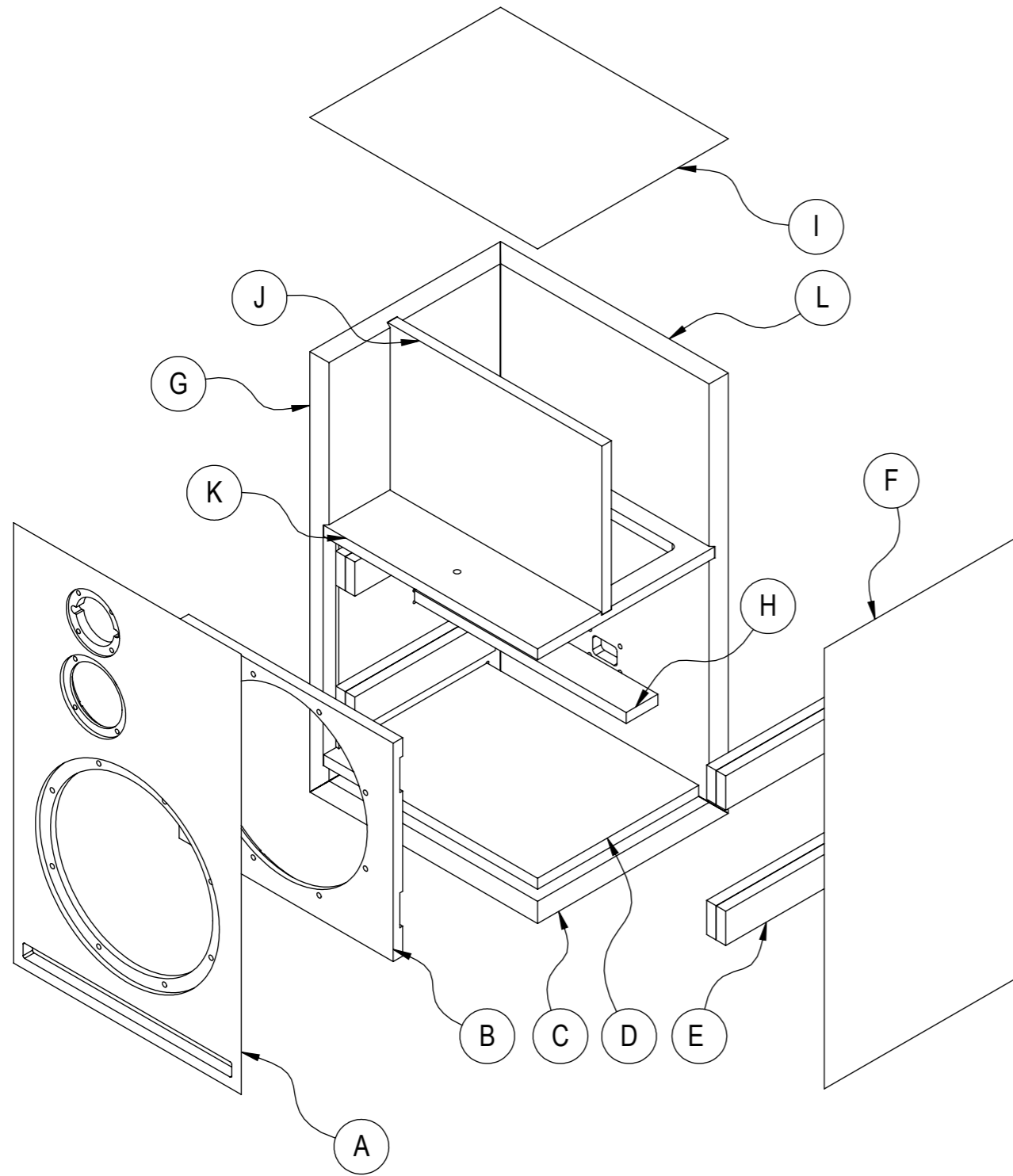
SECTION A-A
SCALE 1 : 7



DETAIL A
SCALE 2 : 7

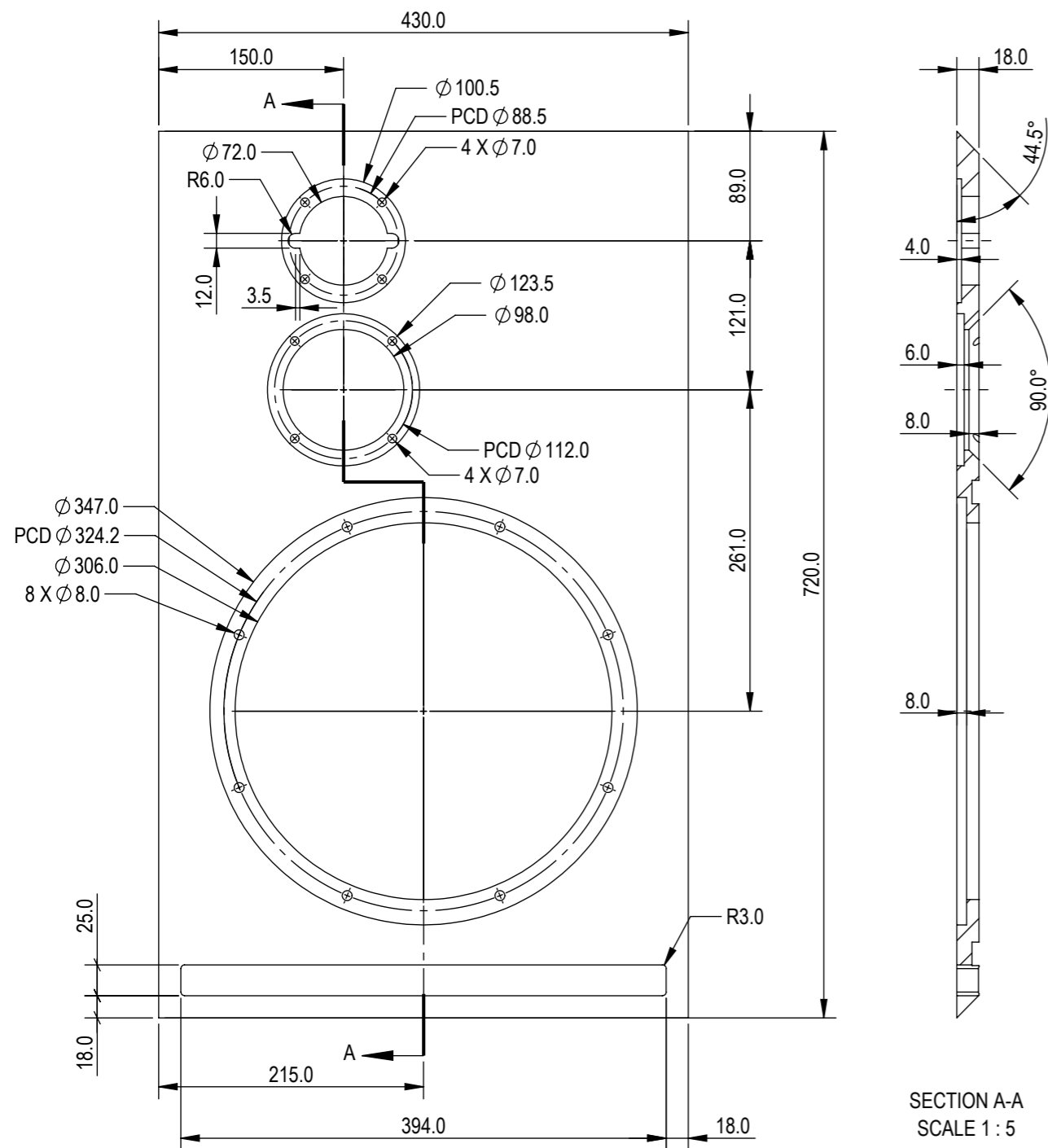
NOTE:

- All dimensions are before painting and veneer except depth
- Depth dimensions after painting should be same with drawing
- There is no defect on painting and veneer
- Paint and veneer thickness assumed 0.7 mm
- Left Cabinet shown, Left Cabinet is mirrored Right Cabinet



LEFT CABINET SHOWN
LEFT CABINET IS MIRRORED RIGHT CABINET

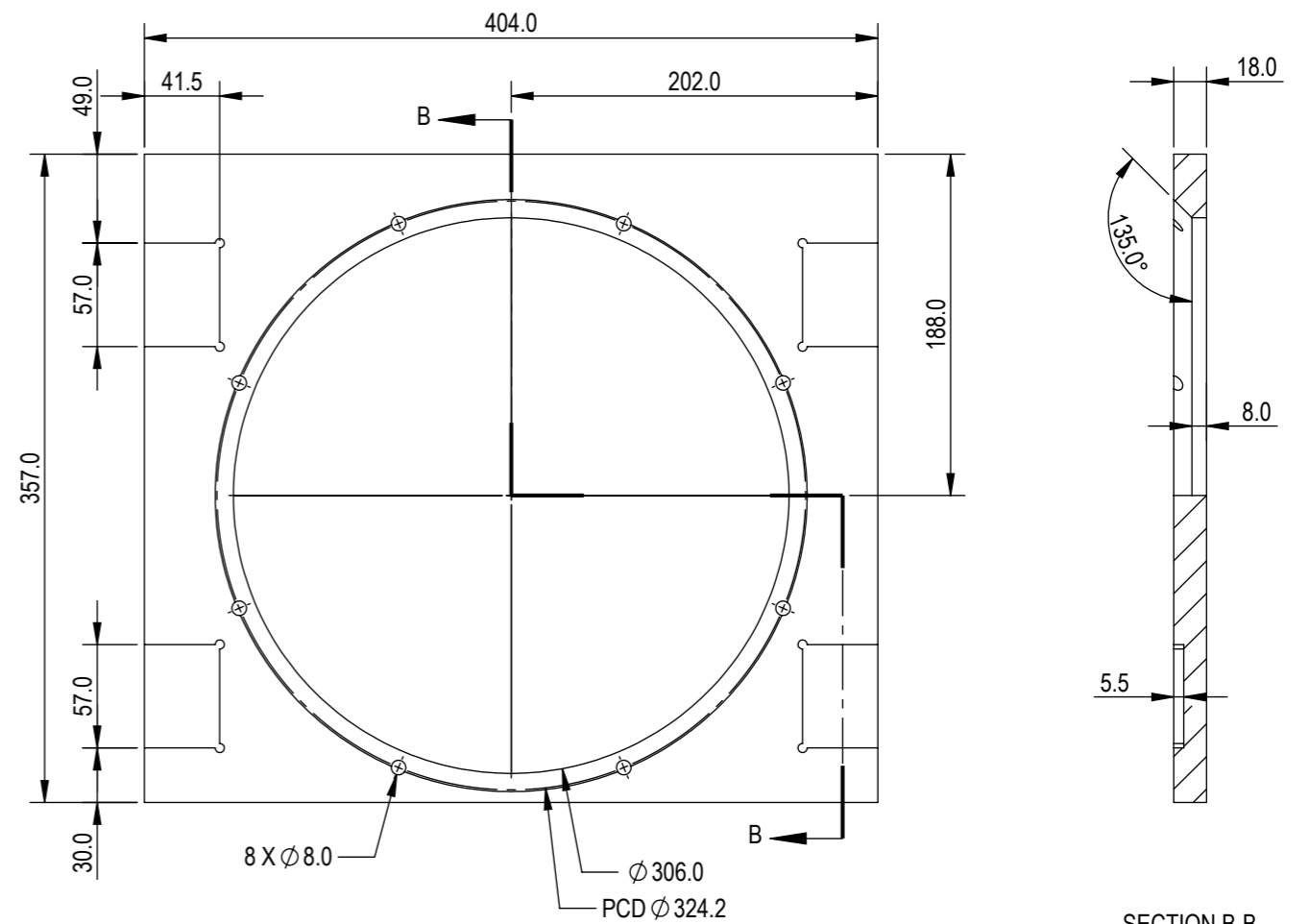
BOARD (A)



SECTION A-A
SCALE 1 : 5

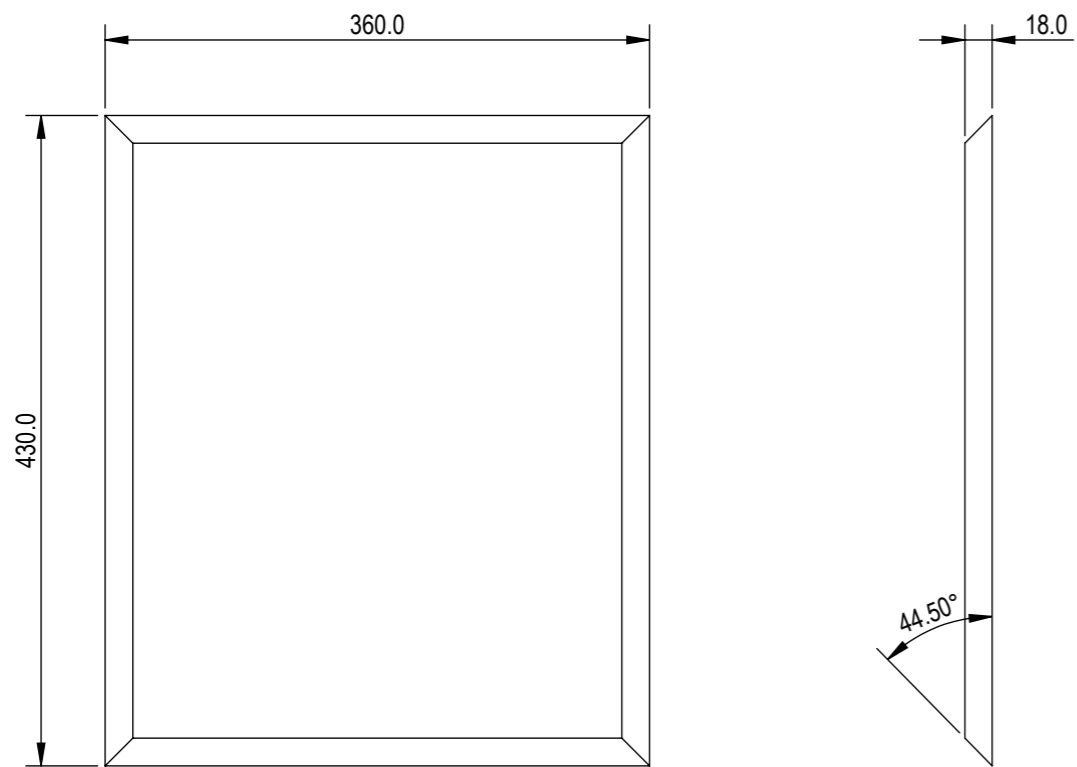
LEFT CABINET SHOWN
LEFT CABINET IS MIRRORED RIGHT CABINET

BOARD (B)

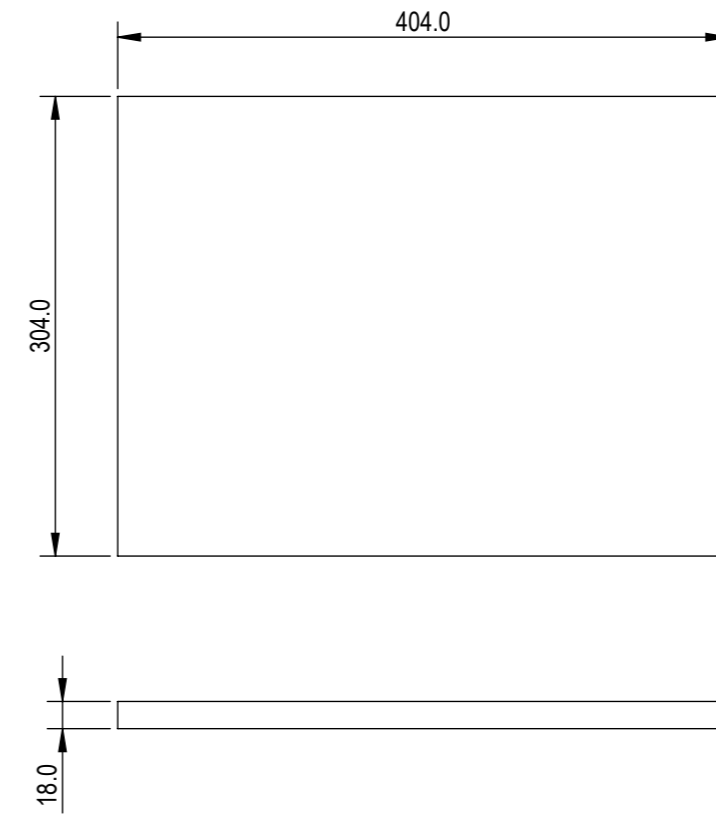


SECTION B-B
SCALE 1 : 4

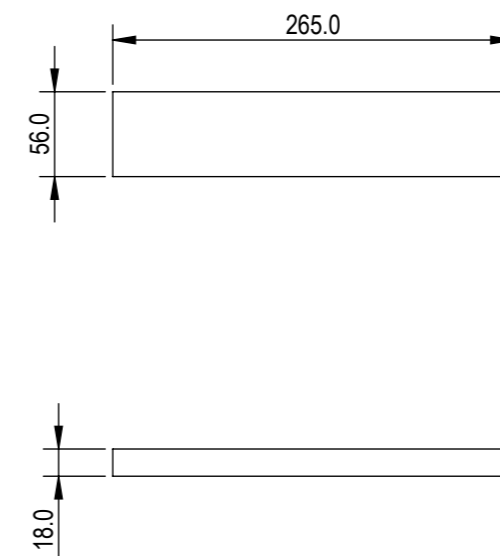
BOARD (C)



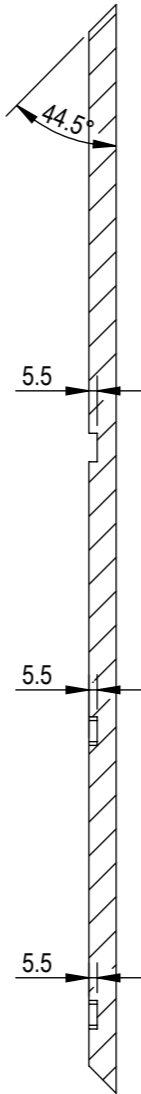
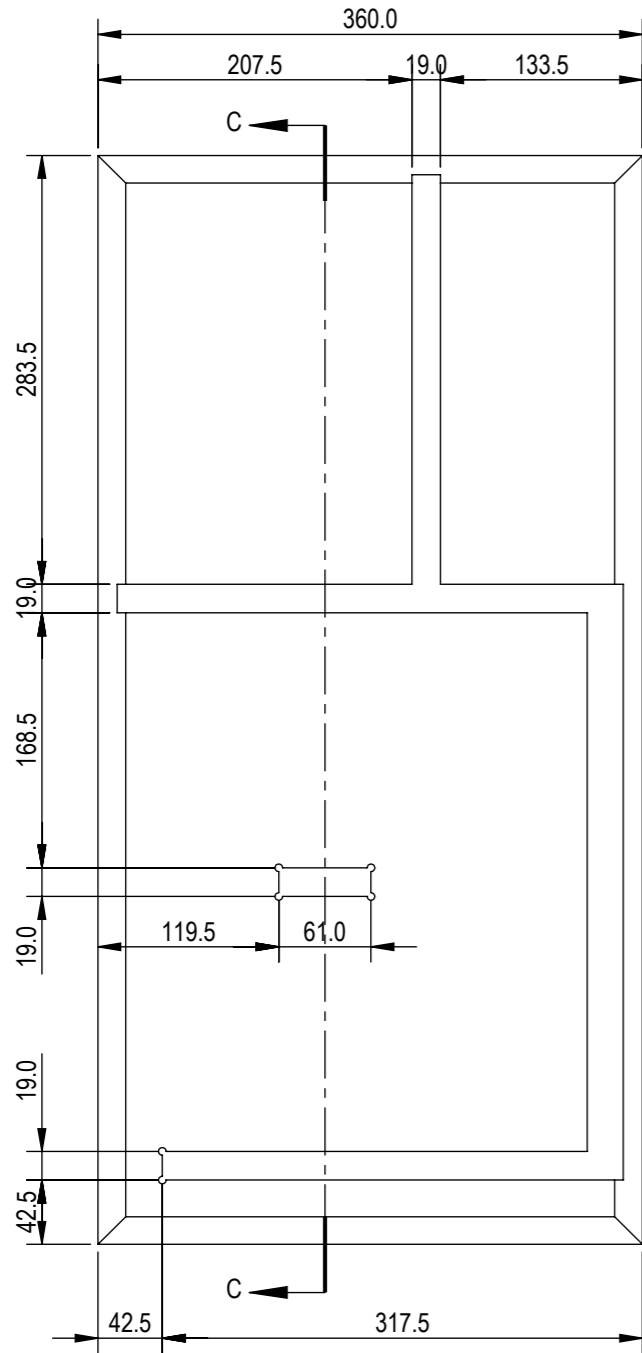
BOARD (D)



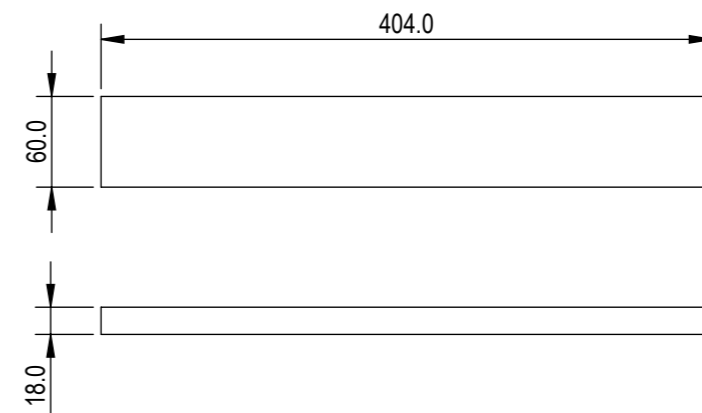
BOARD (E) X 8 PCS



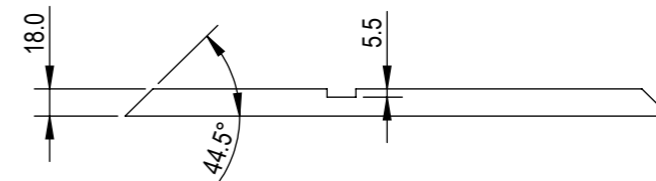
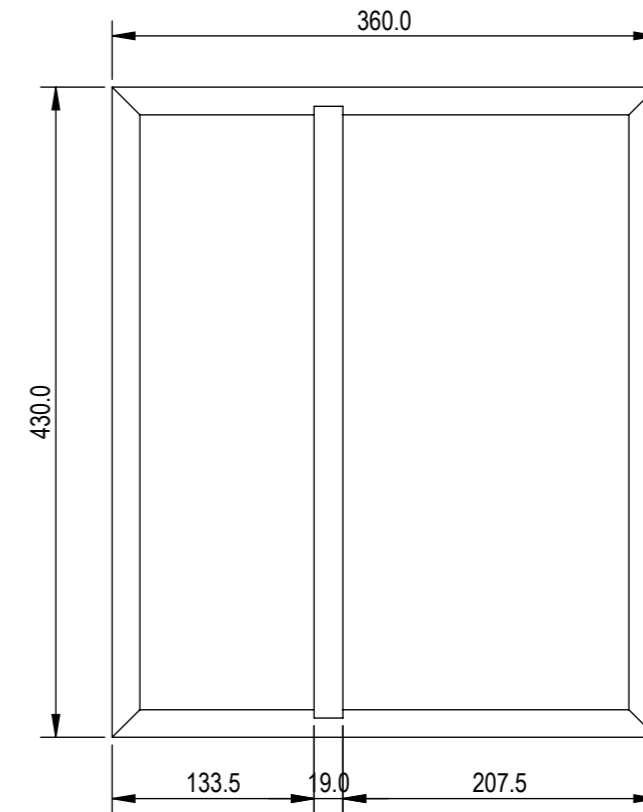
BOARD (F) (G)



BOARD (H)



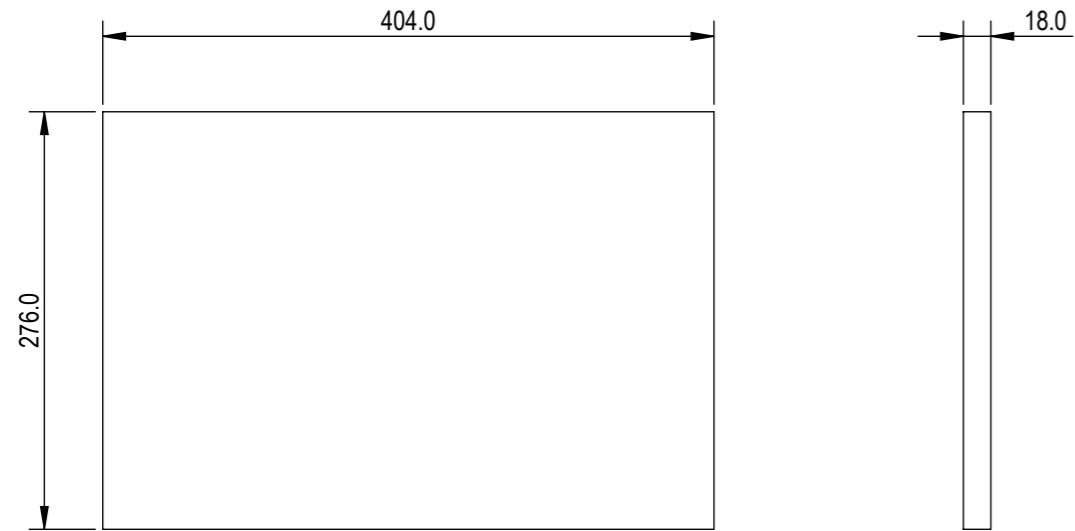
BOARD (I)



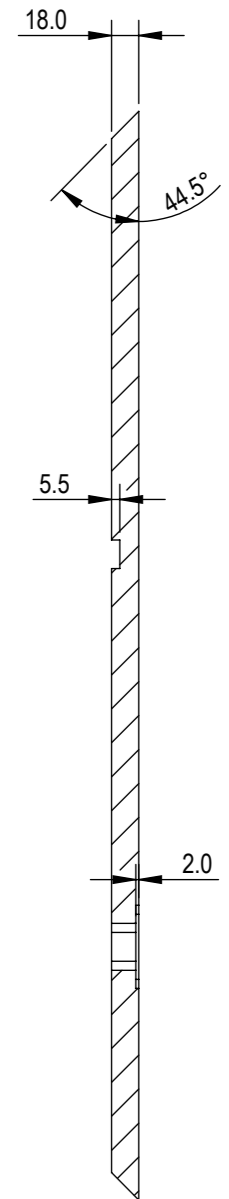
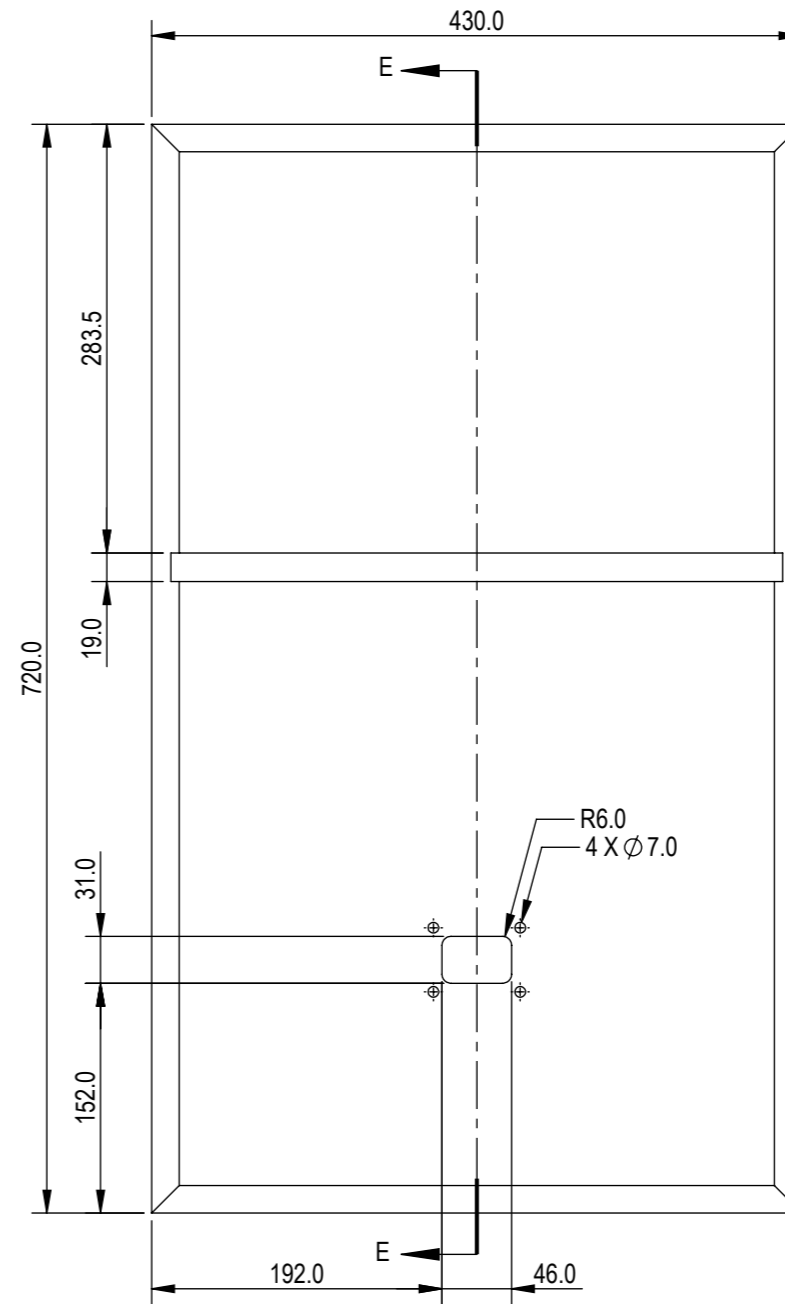
BOARD (F) SHOWN

BOARD (F) IS MIRRORED BOARD (G)

BOARD (J)

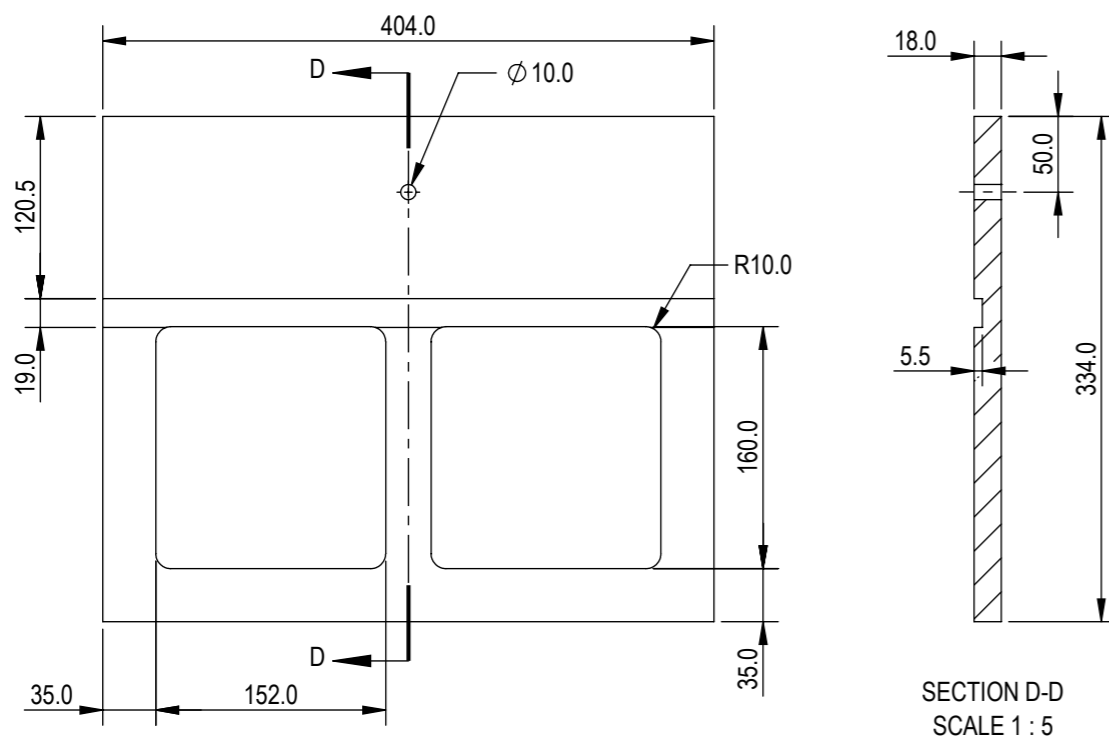


BOARD (L)



SECTION E-E
SCALE 1 : 5

BOARD (K)



SECTION D-D
SCALE 1 : 5