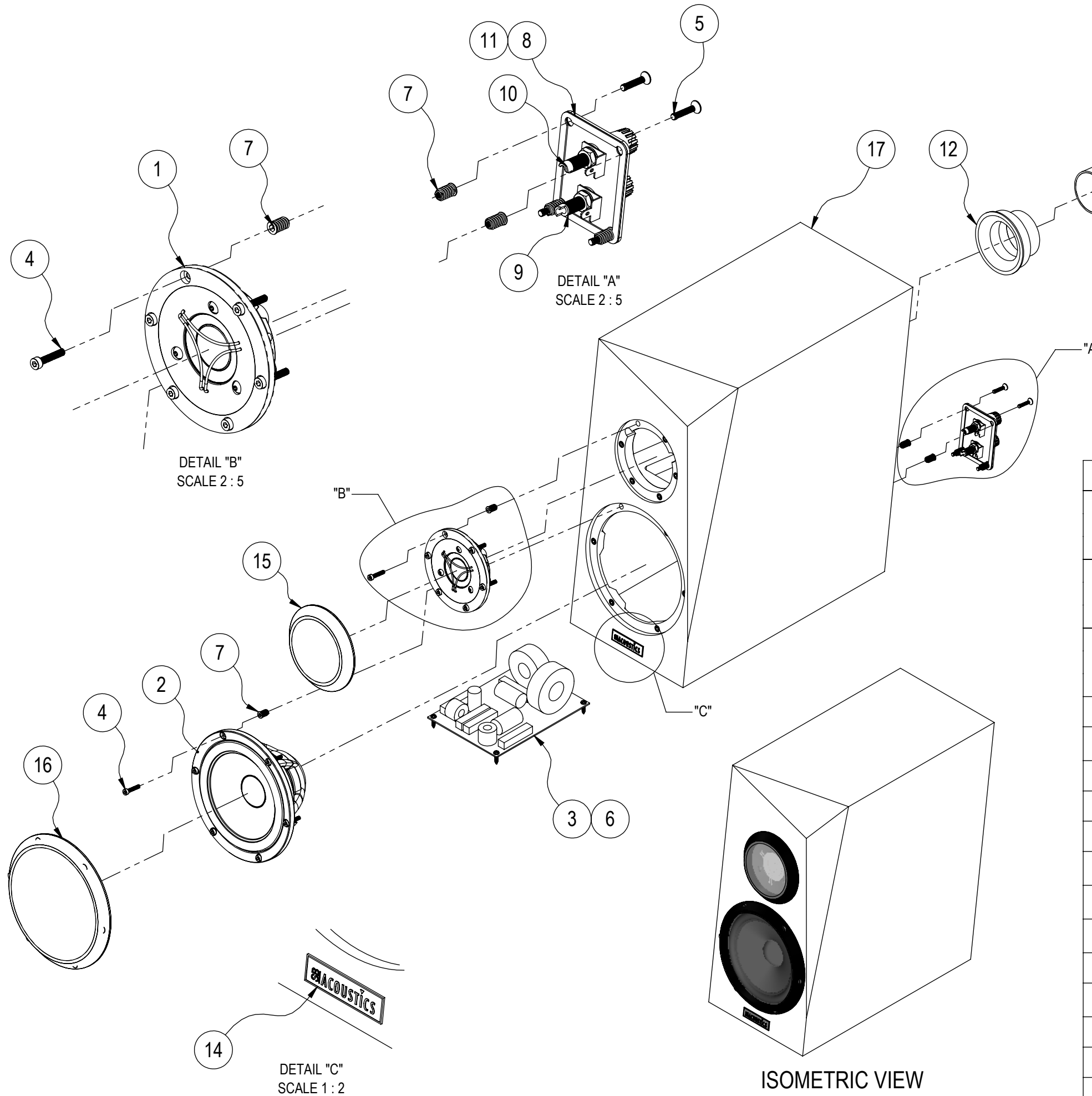
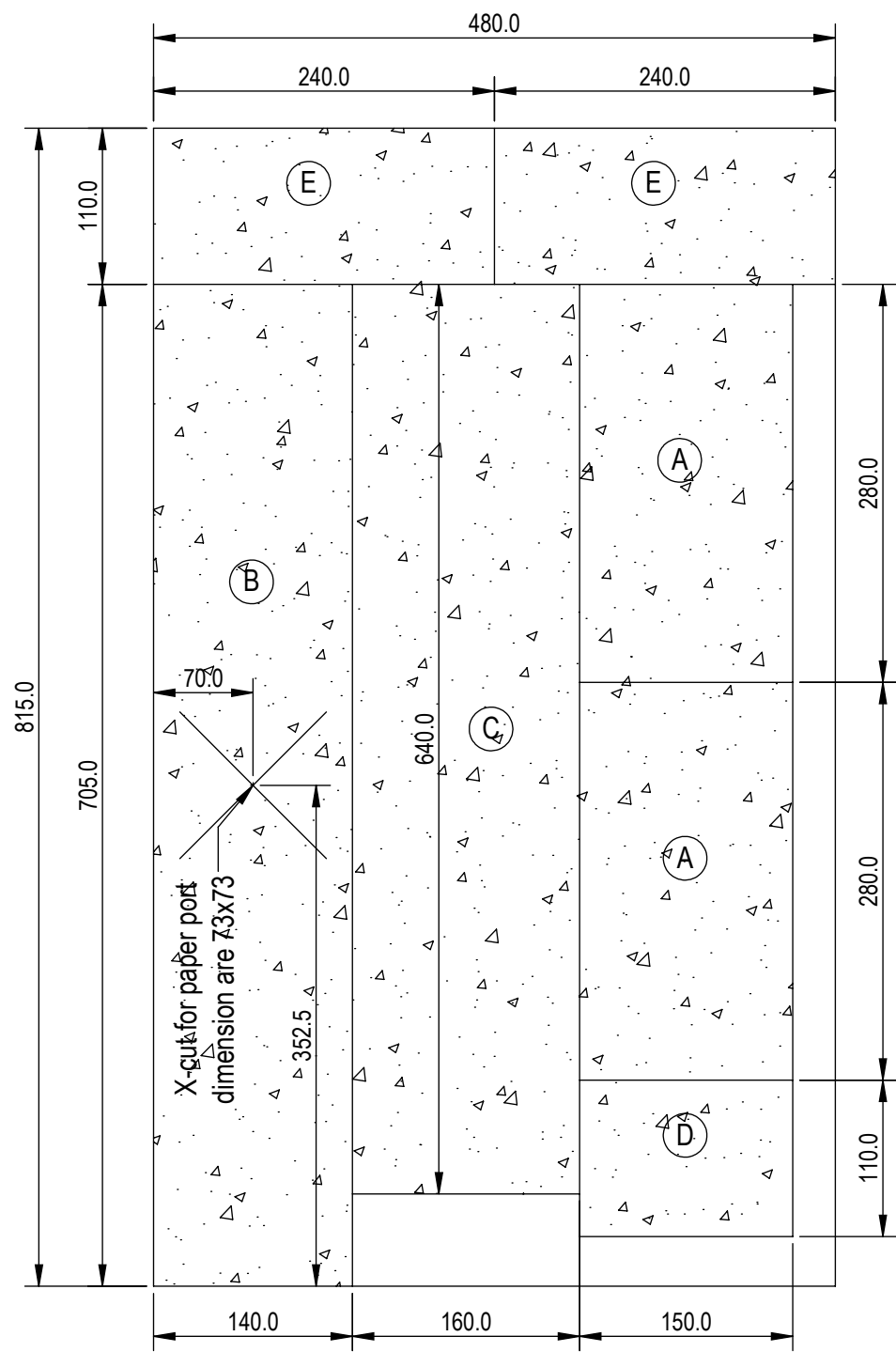


ARA KIT - EXPLODED VIEW



ITEM NO.	DESCRIPTION	QTY.
1	A. SATORI TW29R-B	1
	B. SATORI TW29BN-B	
	C. SATORI TW29TXN-B-8	
2	A. 6.5IN SATORI MW16P-4	1
	B. 6.5IN SATORI MW16P-4	
	C. 6.5IN SATORI MW16TX-4	
3	A. ARA CROSSOVER	1
	B. ARA BERYLLIUM CROSSOVER	
	C. ARA TX CROSSOVER	
4	HEX SOCKET SCREW 4X20MM (FOR DRIVER)	12
5	COUNTERSUNK SCREW 4X20MM (FOR TERMINAL PLATE)	4
6	WOOD SCREW 4X16MM (FROM KIT CROSSOVER)	4
7	INSERT NUT M4 (INSTALLED)	16
8	STAINLESS STEEL TERMINAL PANEL	1
9	BINDING POST (-) (BLACK)	1
10	BINDING POST (+) (RED)	1
11	SEAL GASKET (FOR TERMINAL PLATE)	1
12	PORT FLARE D:50mm (INSTALLED ON CABINET)	2
13	PAPER TUBE D:50mm L:160mm (INSTALLED ON CABINET)	1
14	NAME PLATE	1
15	GRILLE FOR TWEETER	1
16	GRILLE FOR WOOFER	1
17	SBA ARA ENCLOSURE (LEFT / RIGHT)	1

ISOMETRIC VIEW



" DAMPING MATERIAL CUT PATTERN "

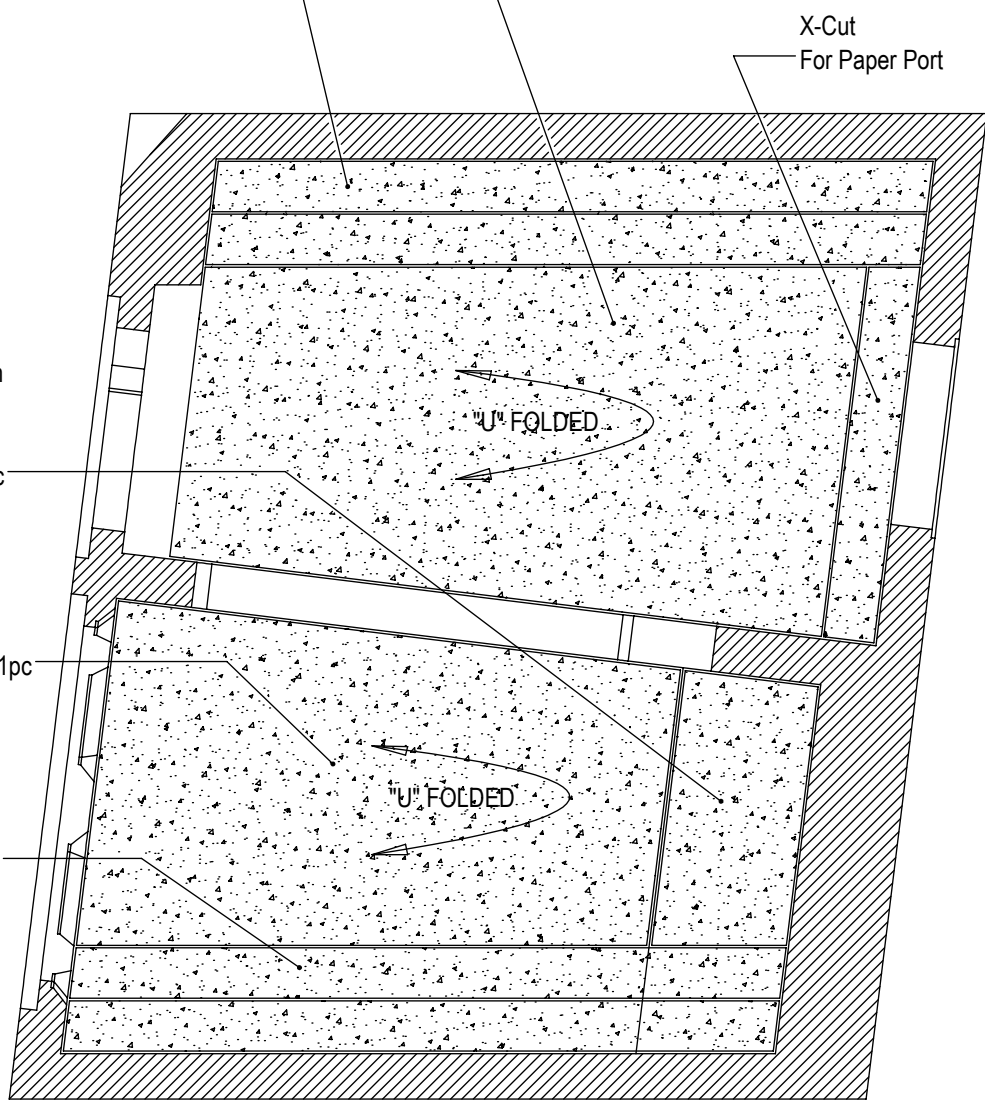
DAMPING MATERIAL A
 Dacron 9oz White Color T20mm
 Size: 280mm x 150mm
 (Stick on the top of cabinet) 2 pcs

DAMPING MATERIAL B
 Dacron 9oz White Color T20mm
 Size: 705mm x 140mm
 ("U" folded around of the top chamber) 1pc

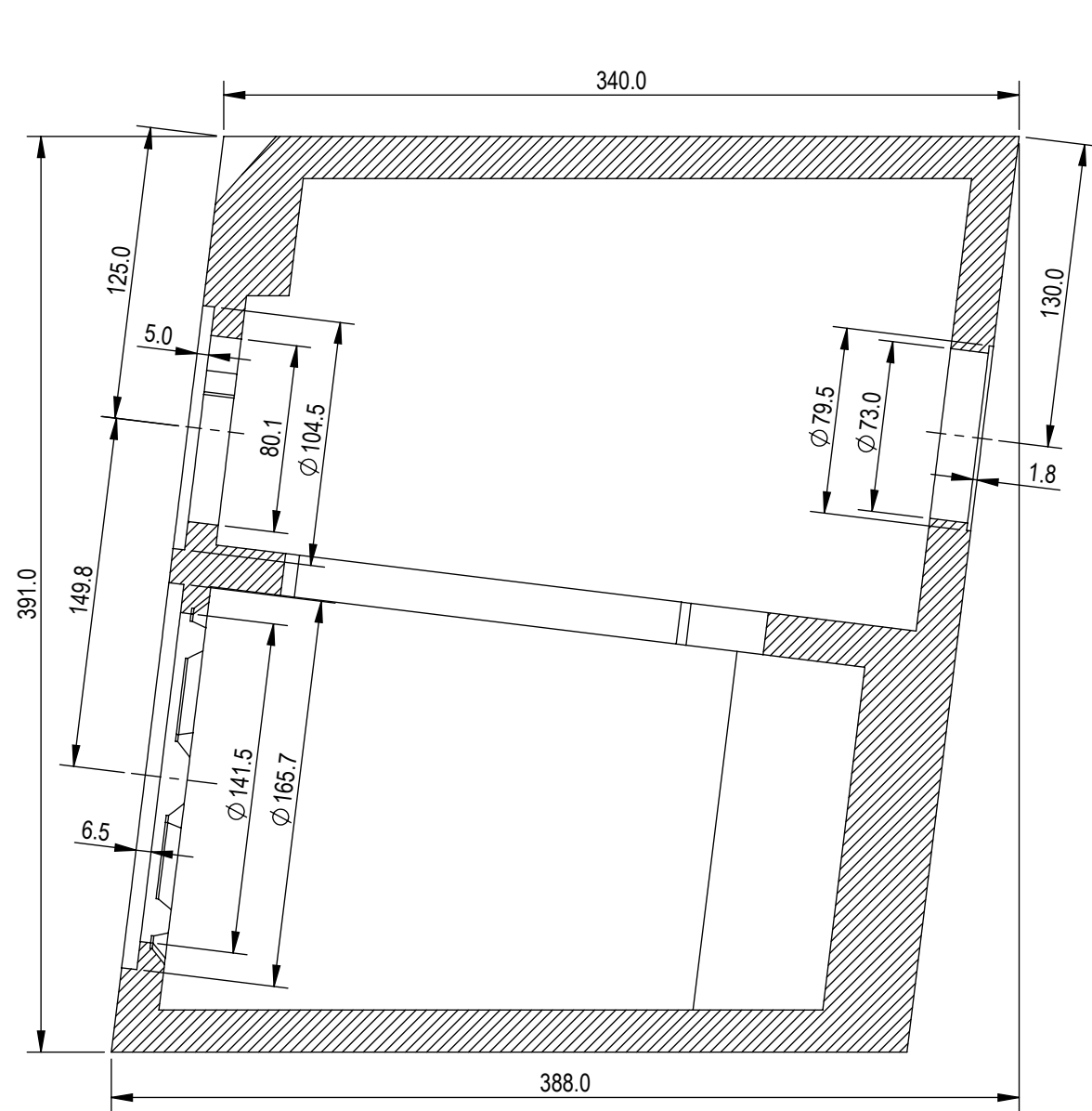
DAMPING MATERIAL D
 Dacron 9oz White Color T20mm
 Size: 150mm x 110mm
 (Stick on the surface of another damping at vertical position) 1pc

DAMPING MATERIAL C
 Dacron 9oz White Color T20mm
 Size: 640mm x 160mm
 ("U" folded around of the top chamber) 1pc

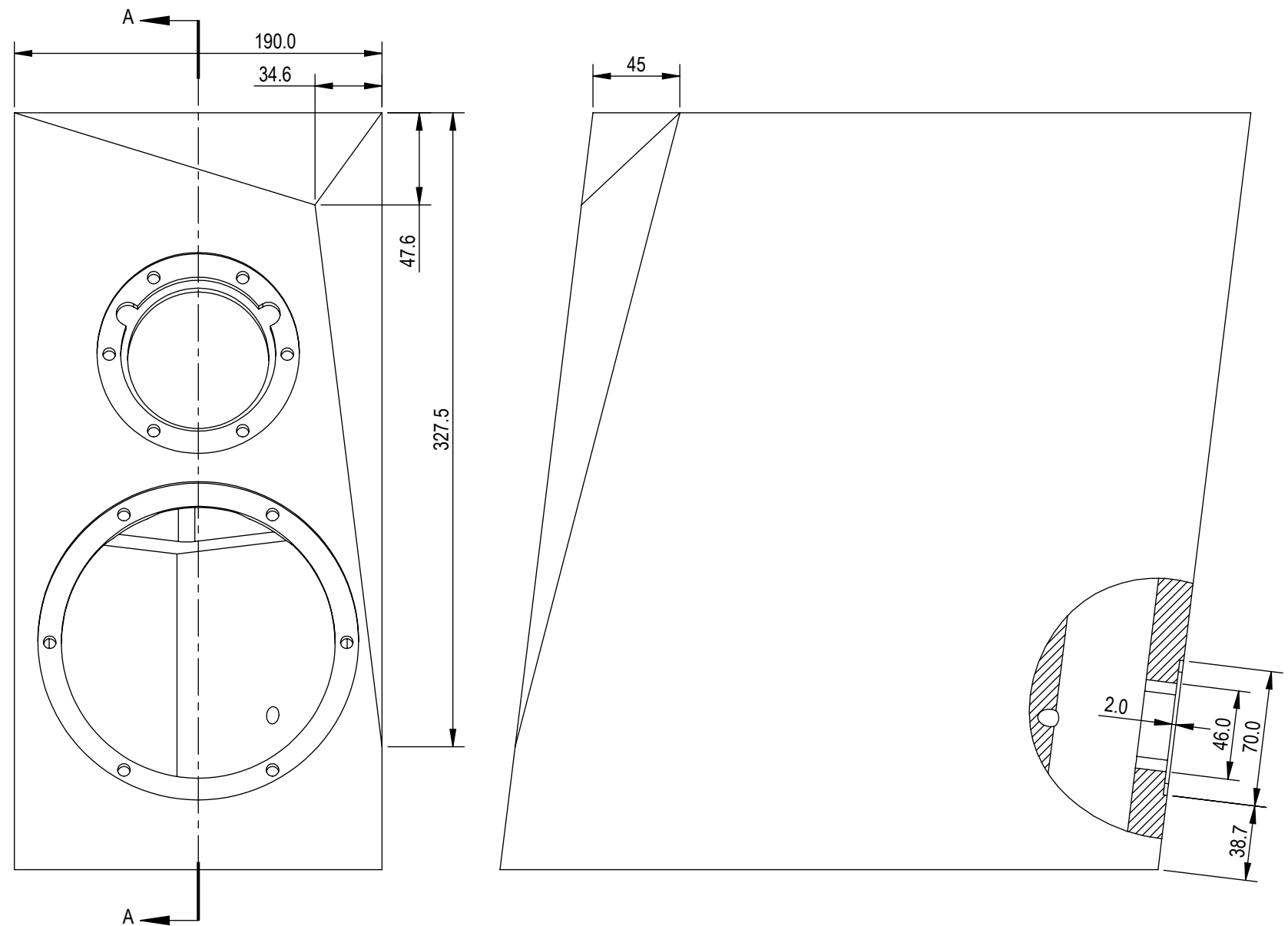
DAMPING MATERIAL E
 Dacron 9oz White Color T20mm
 Size: 240mm x 110mm
 (Stick on the bottom of cabinet) 2 pcs



" SECTION VIEW "

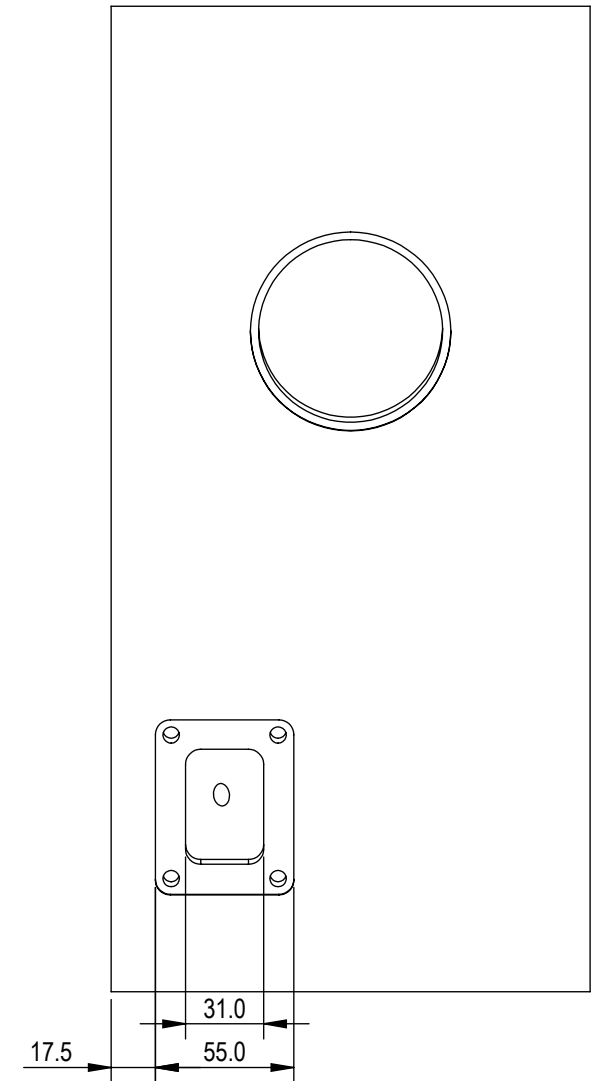
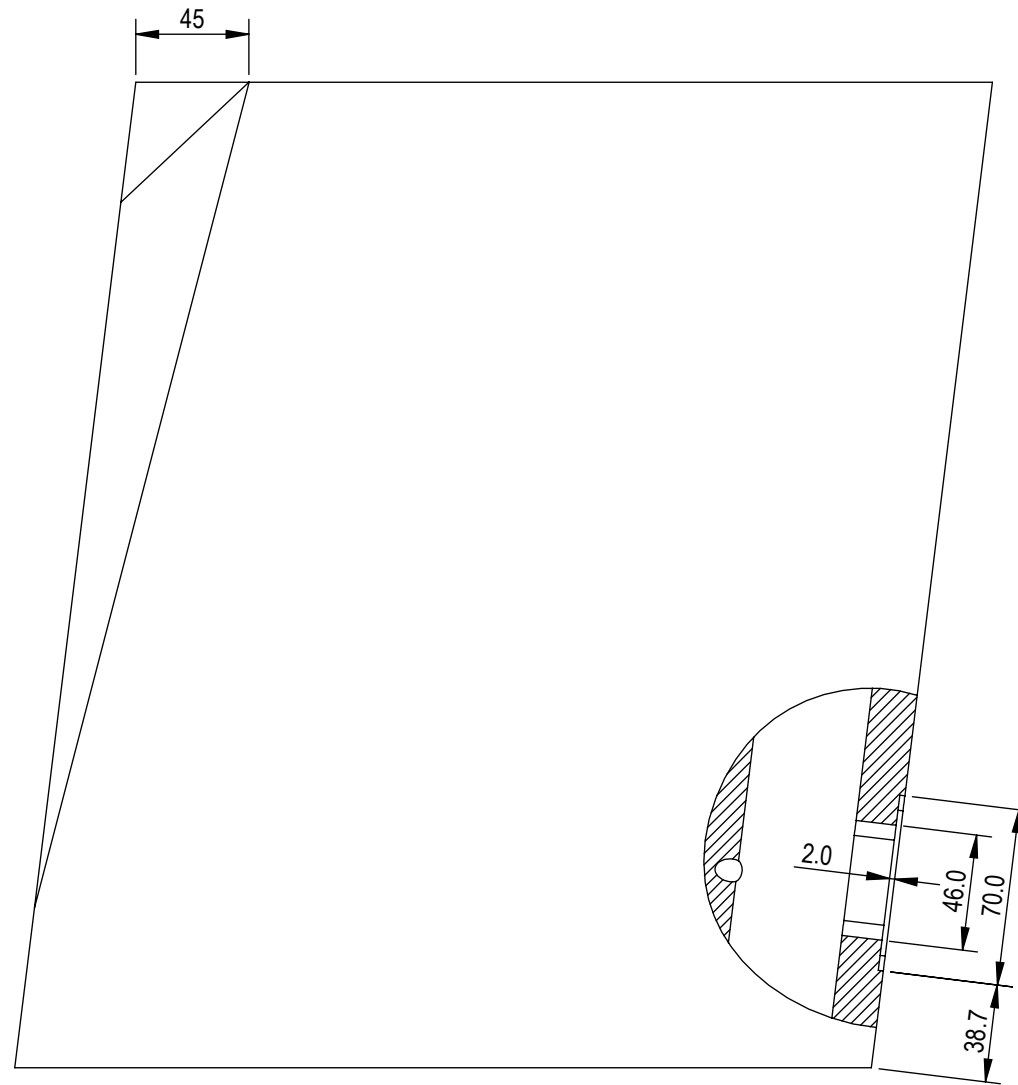
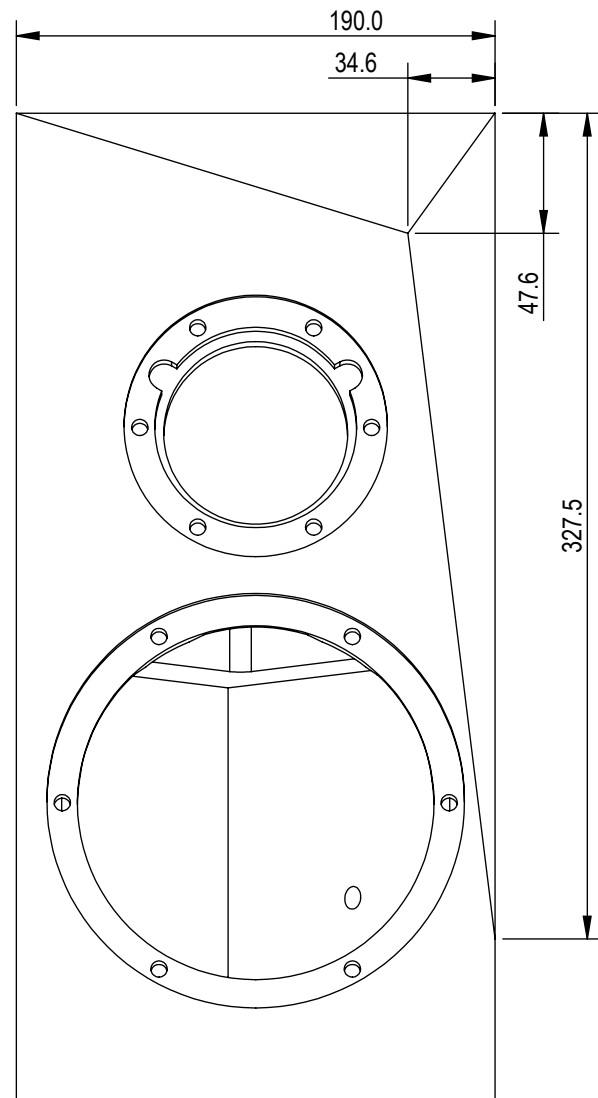


SECTION A-A
SCALE 1 : 3



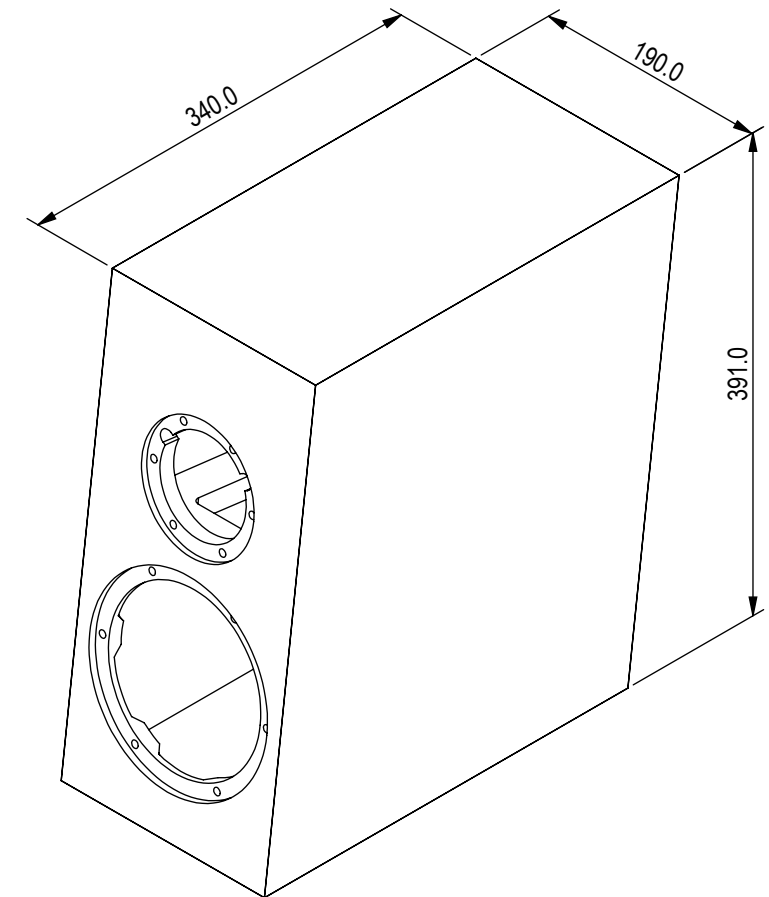
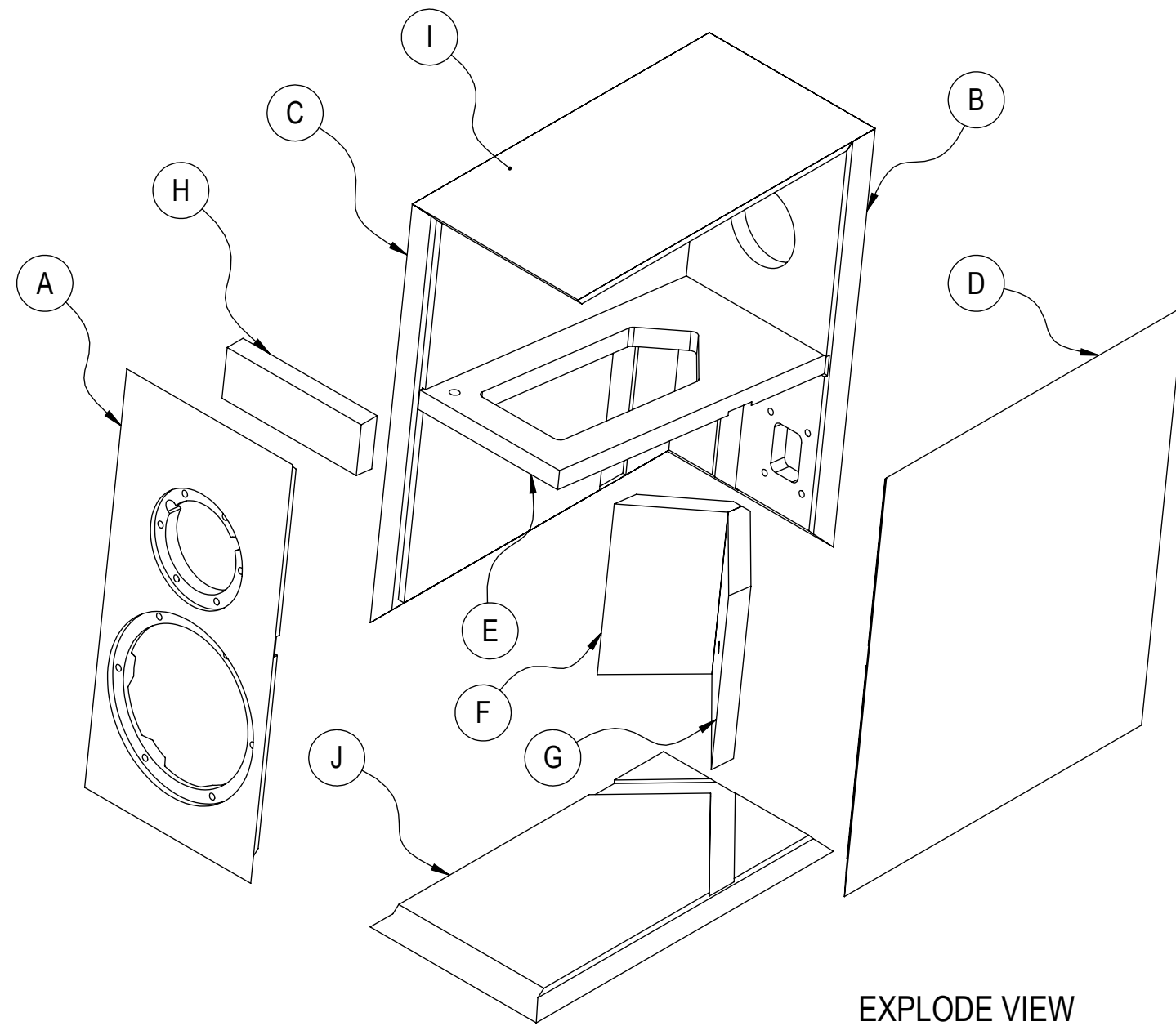
NOTE:

- All dimensions are before painting except depth
- Depth dimensions after painting should be same with drawing
- There is no defect on painting
- Paint thickness assumed 0.5 mm
- Left Cabinet shown and Right Cabinet is mirrored by Left Cabinet



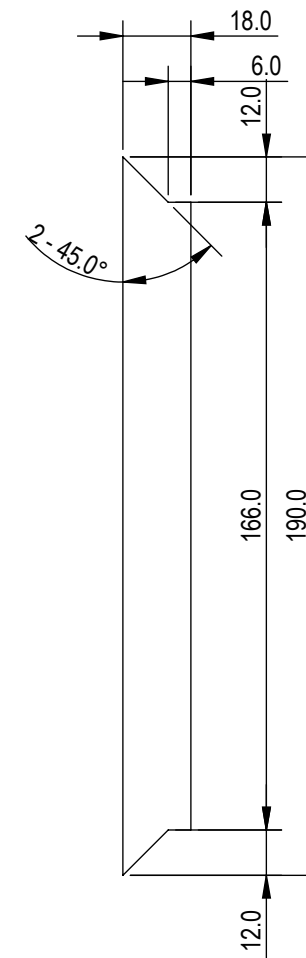
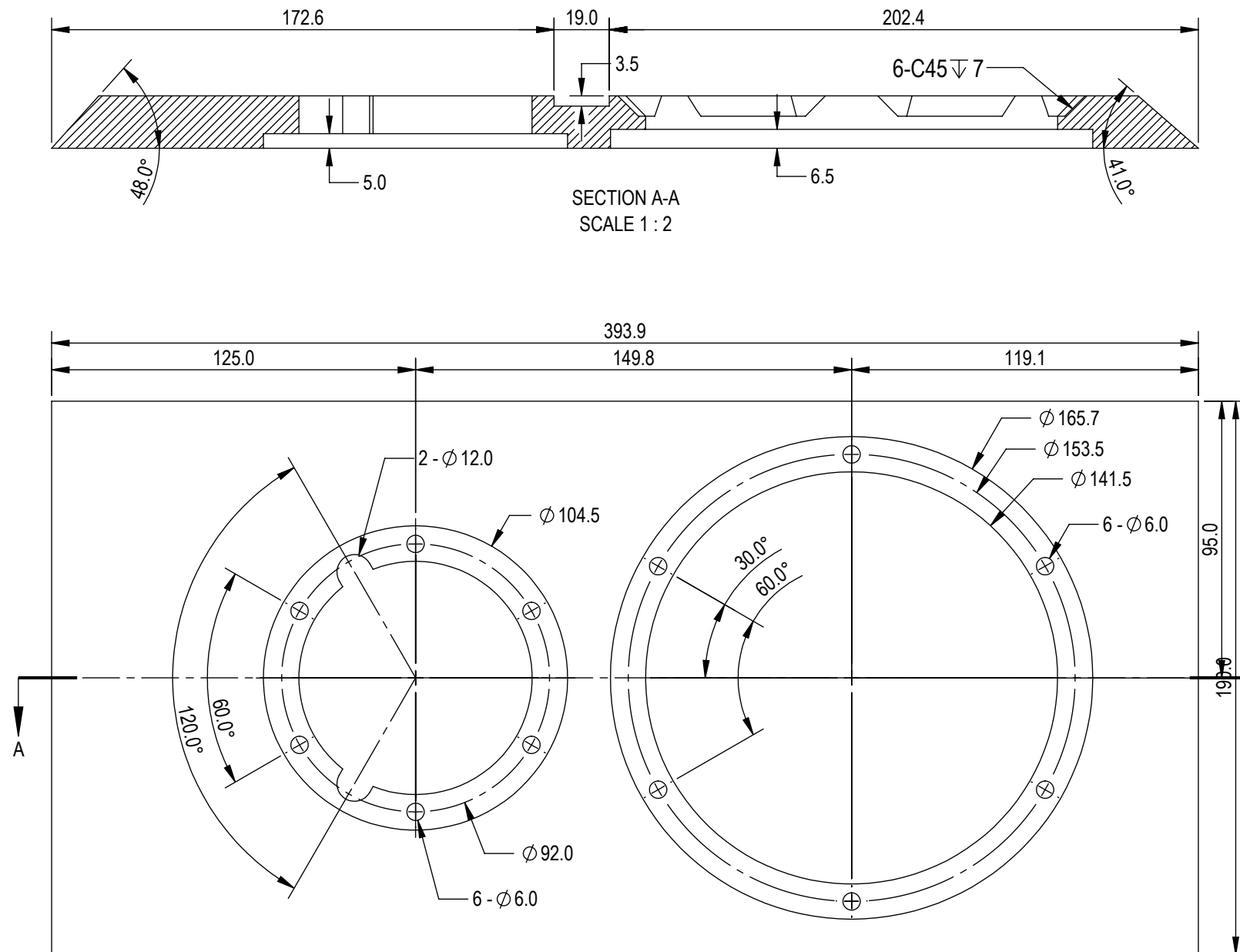
NOTE:

- All dimensions are before painting except depth
- Depth dimensions after painting should be same with drawing
- There is no defect on painting
- Paint thickness assumed 0.5 mm
- Left Cabinet shown and Right Cabinet is mirrored by Left Cabinet



Left Cabinet shown and Right Cabinet is mirrored by Left Cabinet

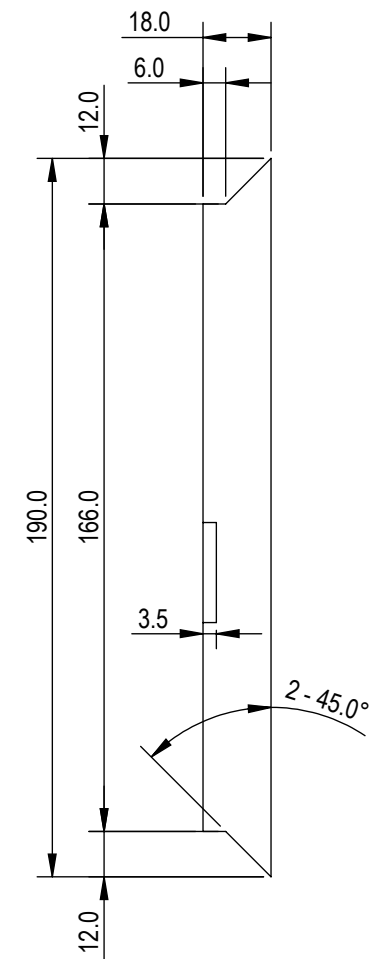
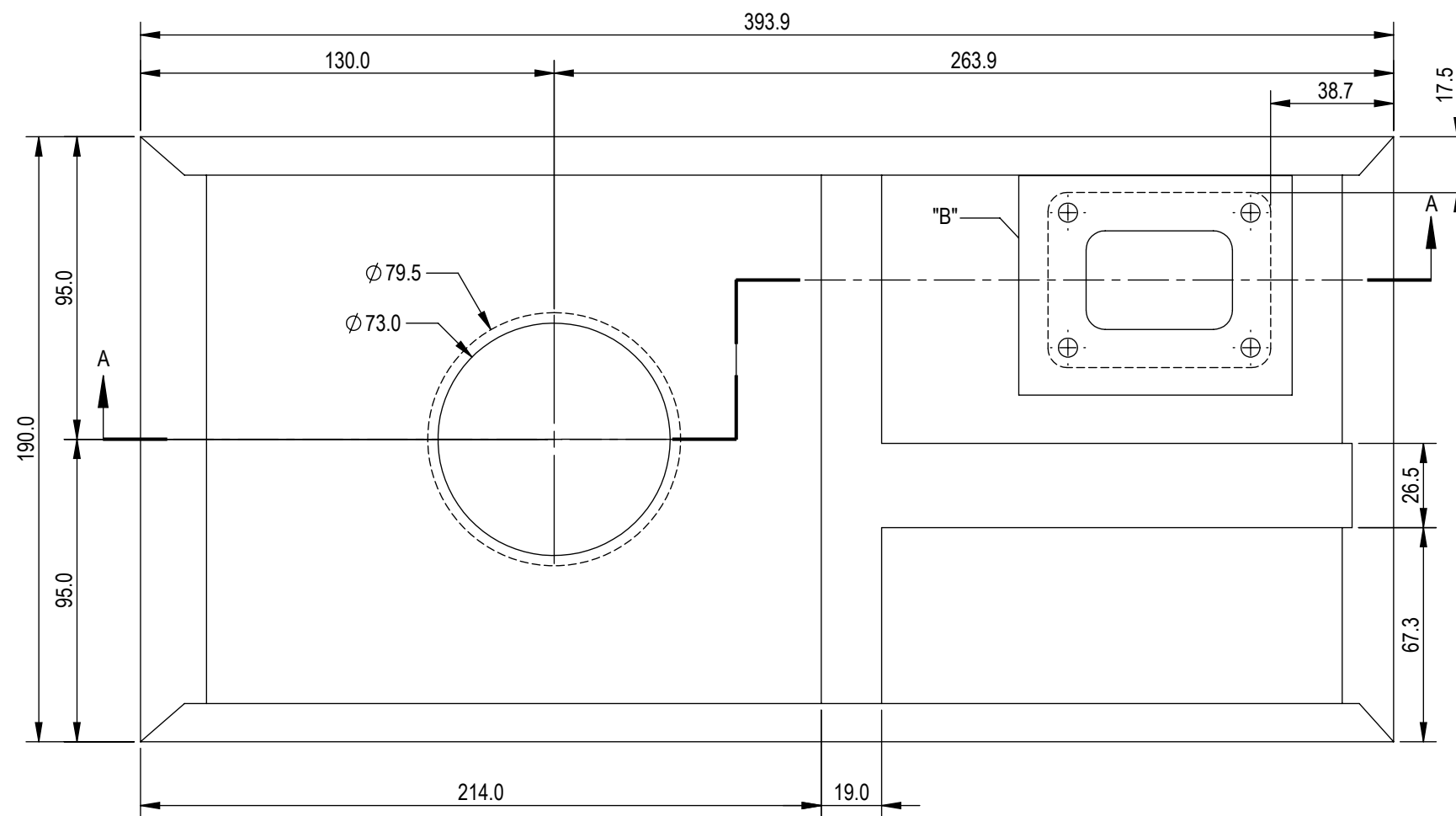
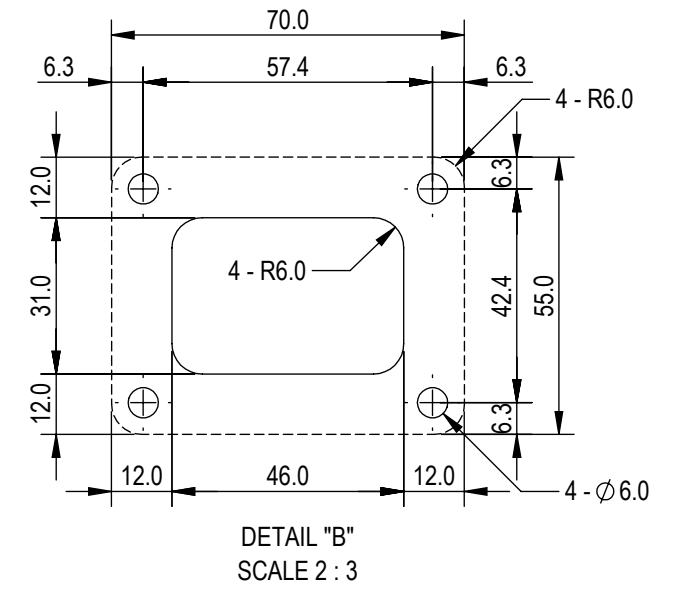
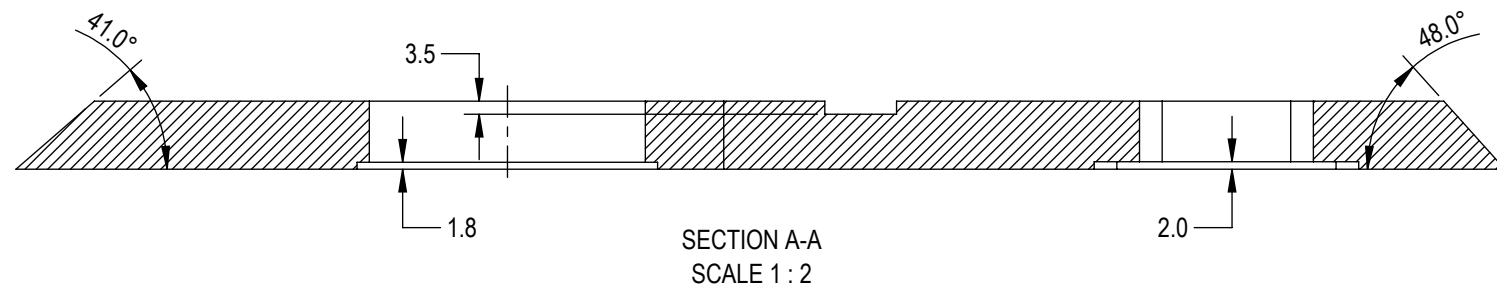
BOARD A



NOTE:

- All dimensions are before painting except depth
- Depth dimensions after painting should be same with drawing
- There is no defect on painting
- Paint thickness assumed 0.5 mm
- Left Cabinet shown and Right Cabinet is mirrored by Left Cabinet

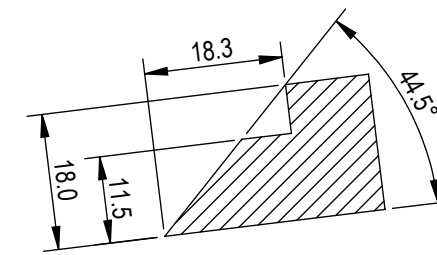
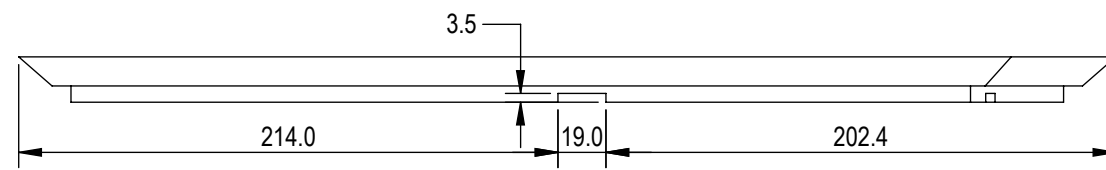
BOARD B



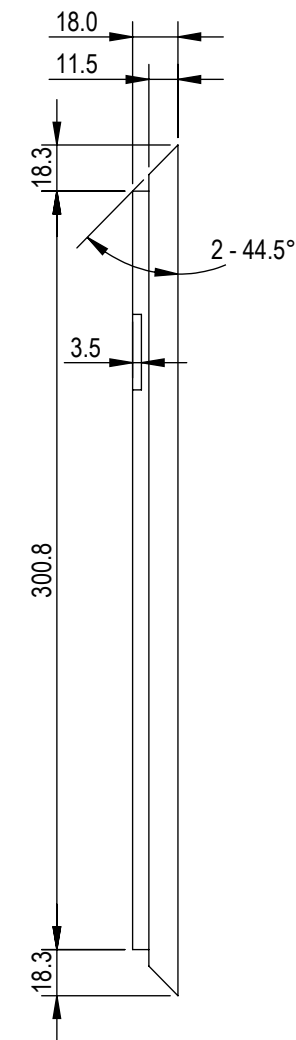
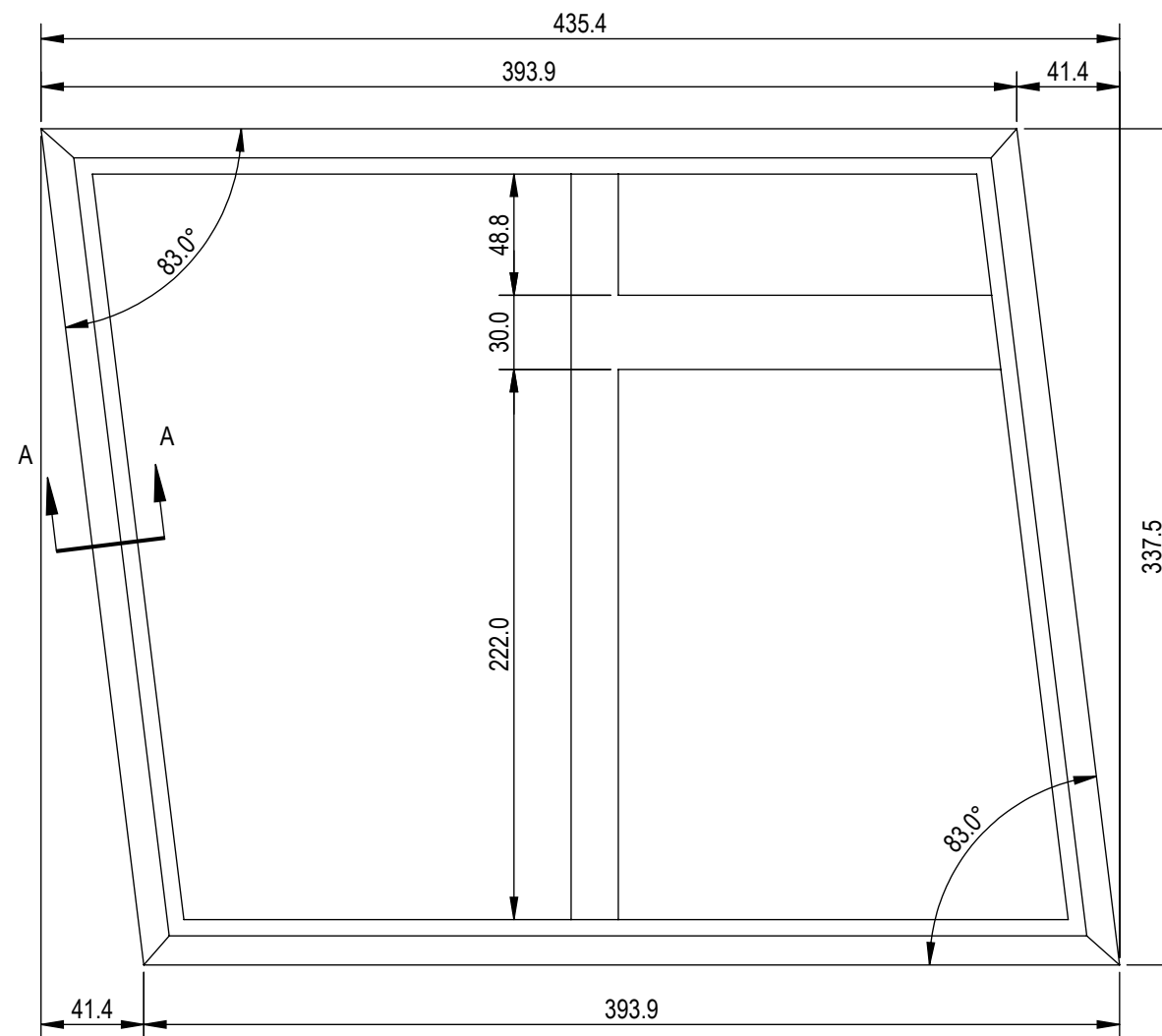
NOTE:

- All dimensions are before painting except depth
- Depth dimensions after painting should be same with drawing
- There is no defect on painting
- Paint thickness assumed 0.5 mm
- Left Cabinet shown and Right Cabinet is mirrored by Left Cabinet

BOARD C



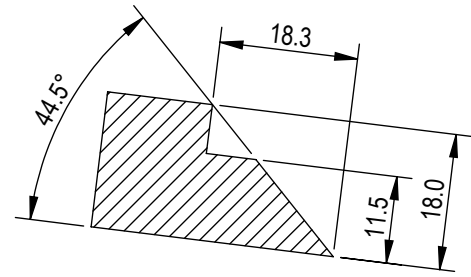
SECTION A-A
SCALE 1 : 1



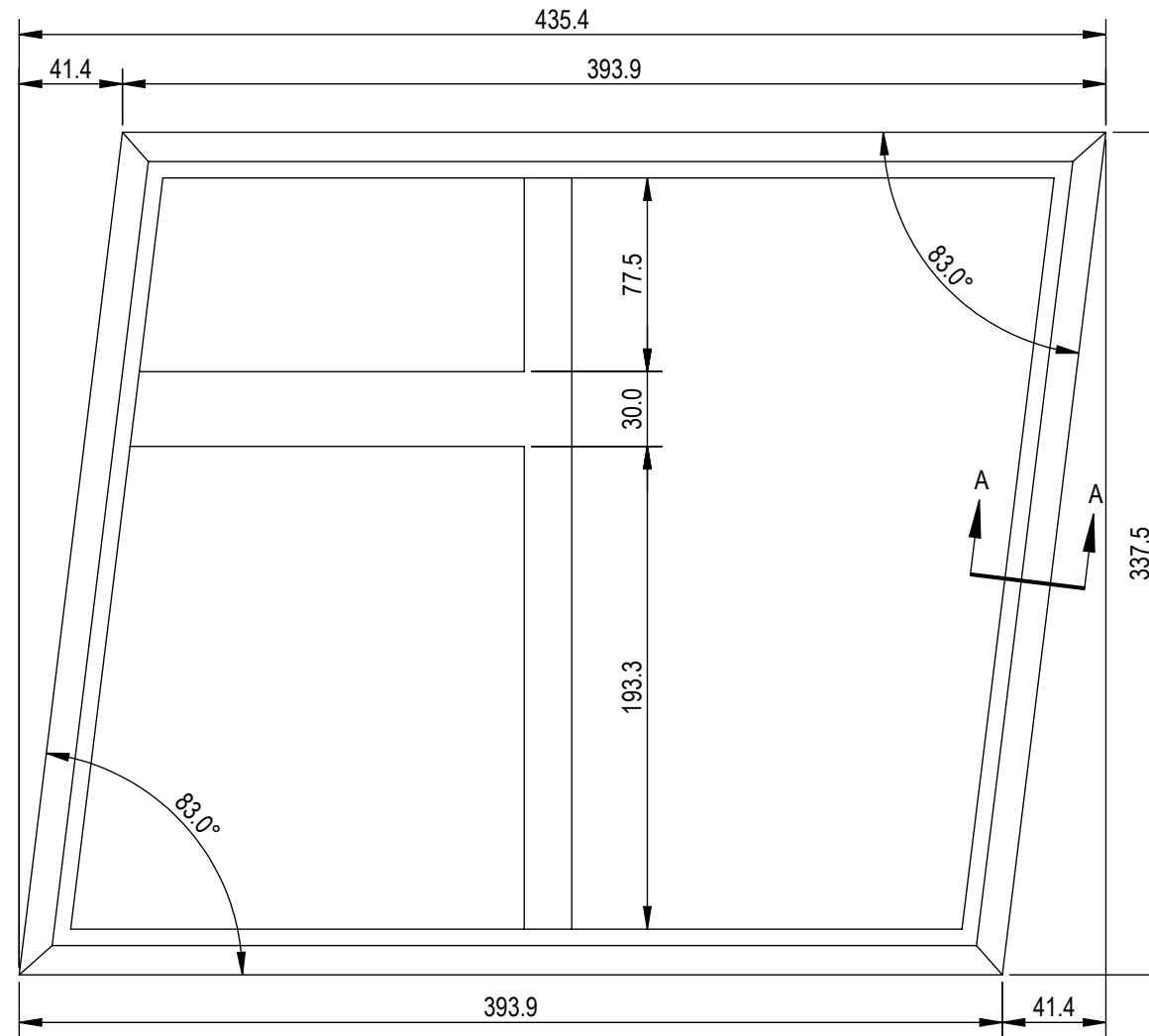
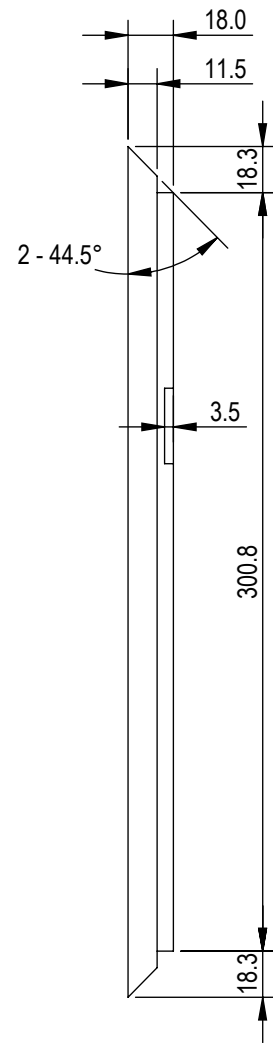
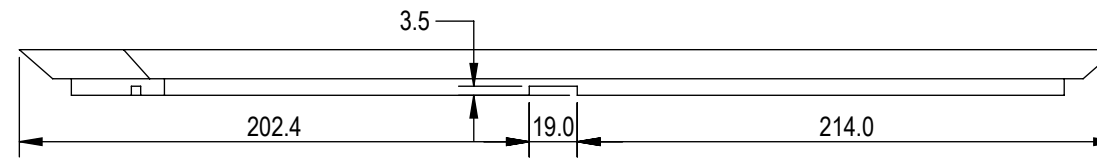
NOTE:

- All dimensions are before painting except depth
- Depth dimensions after painting should be same with drawing
- There is no defect on painting
- Paint thickness assumed 0.5 mm
- Left Cabinet shown and Right Cabinet is mirrored by Left Cabinet

BOARD (D)



SECTION A-A
SCALE 1 : 1



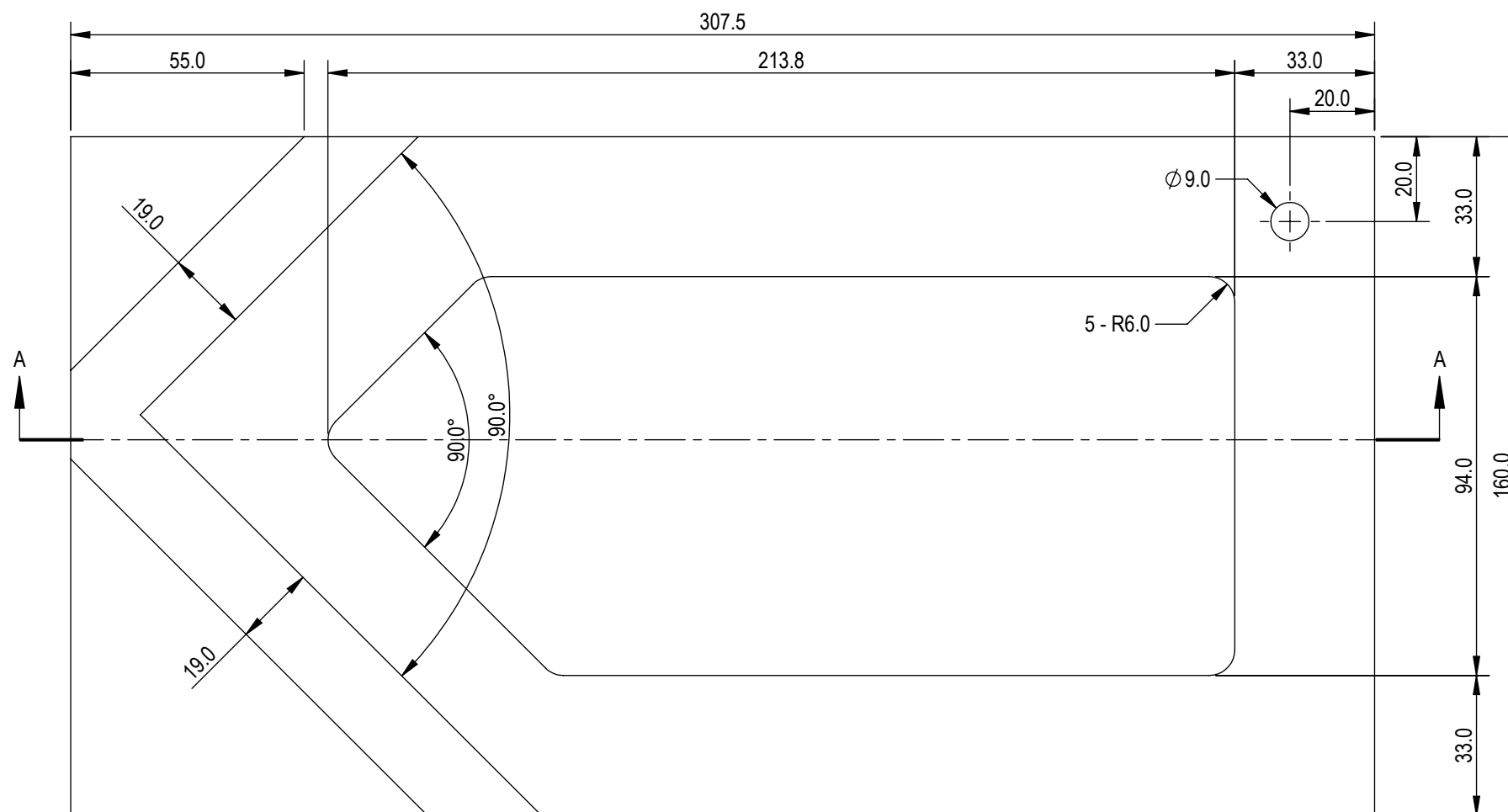
NOTE:

- All dimensions are before painting except depth
- Depth dimensions after painting should be same with drawing
- There is no defect on painting
- Paint thickness assumed 0.5 mm
- Left Cabinet shown and Right Cabinet is mirrored by Left Cabinet

BOARD E



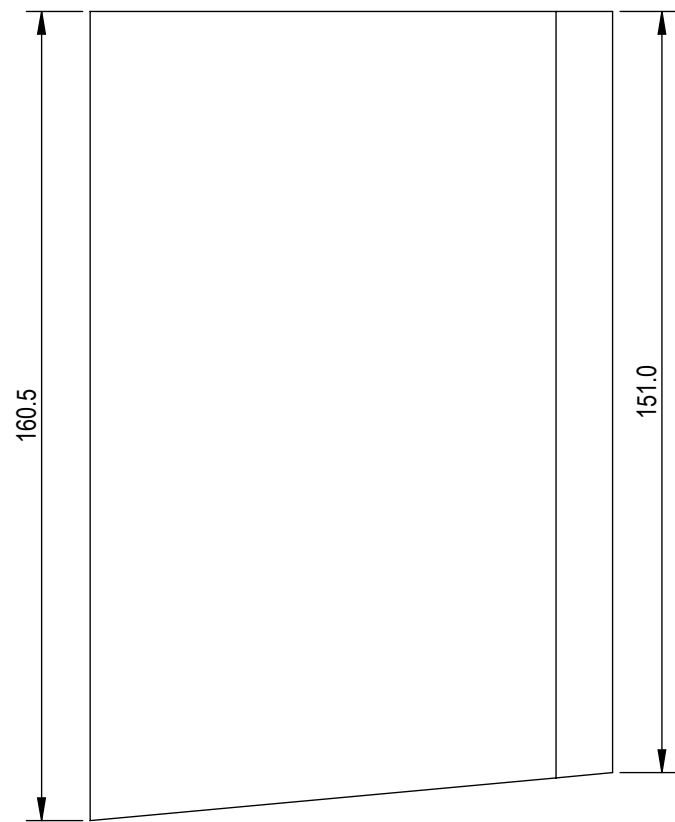
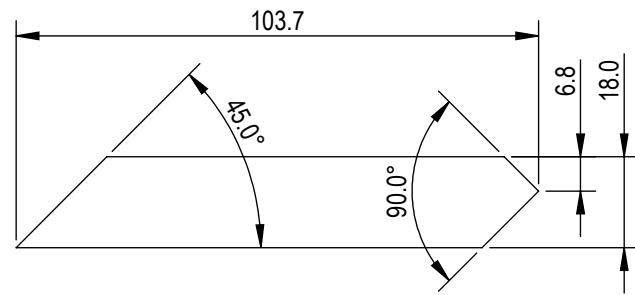
SECTION A-A
SCALE 2 : 3



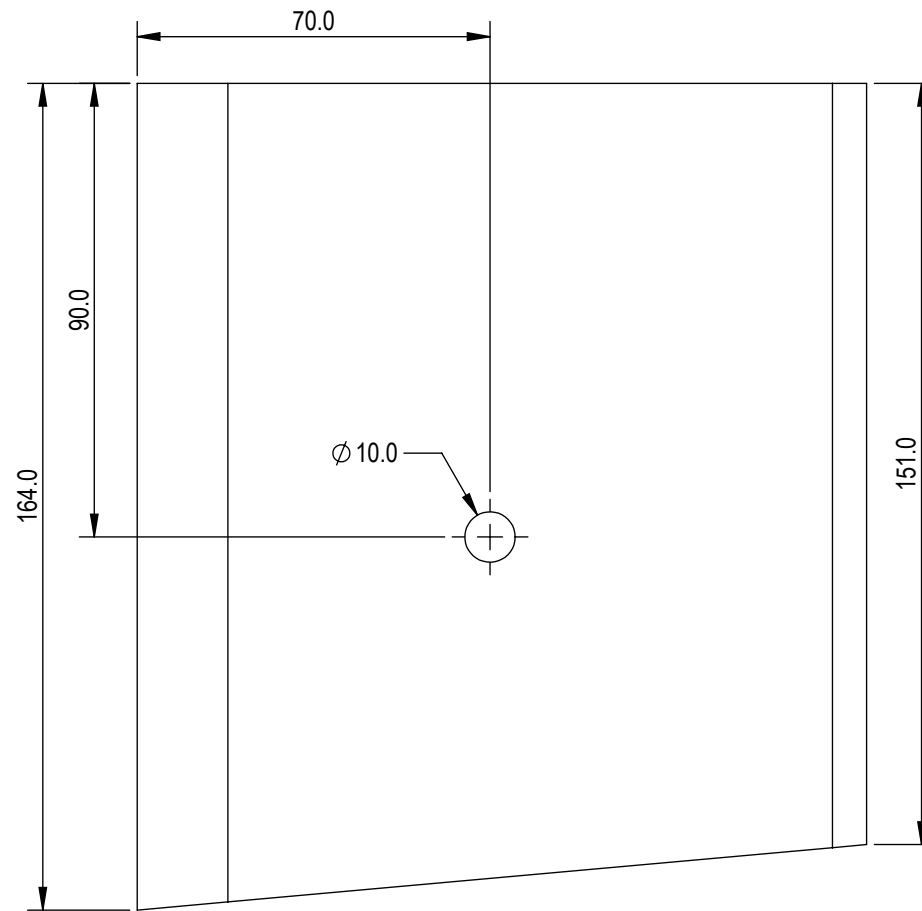
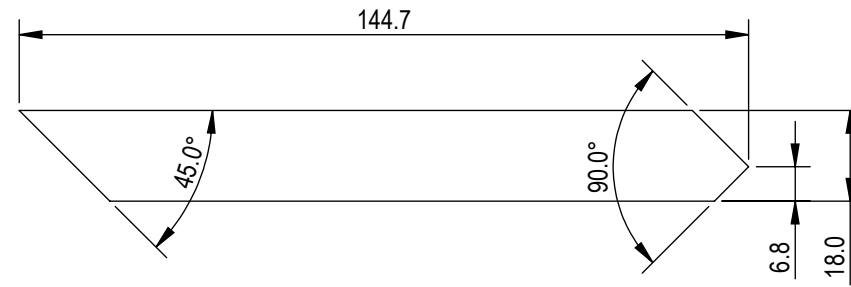
NOTE:

- All dimensions are before painting except depth
- Depth dimensions after painting should be same with drawing
- There is no defect on painting
- Paint thickness assumed 0.5 mm
- Left Cabinet shown and Right Cabinet is mirrored by Left Cabinet

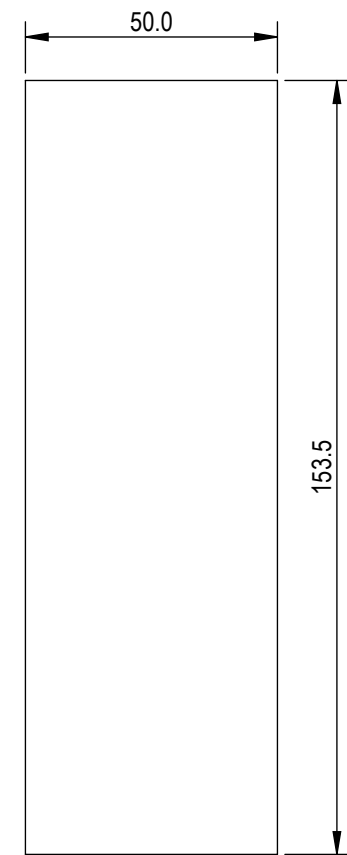
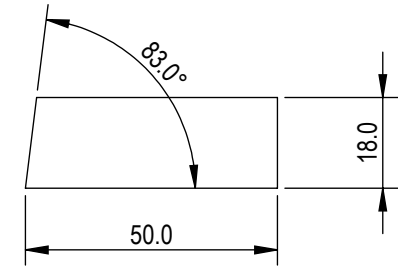
BOARD (F)
VERTICAL BRACE



BOARD (G)
VERTICAL BRACE



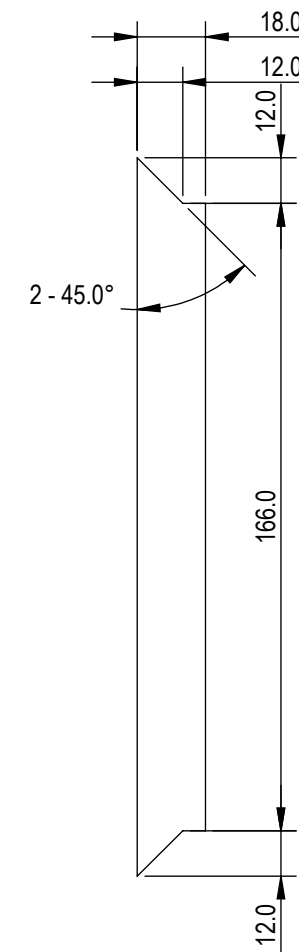
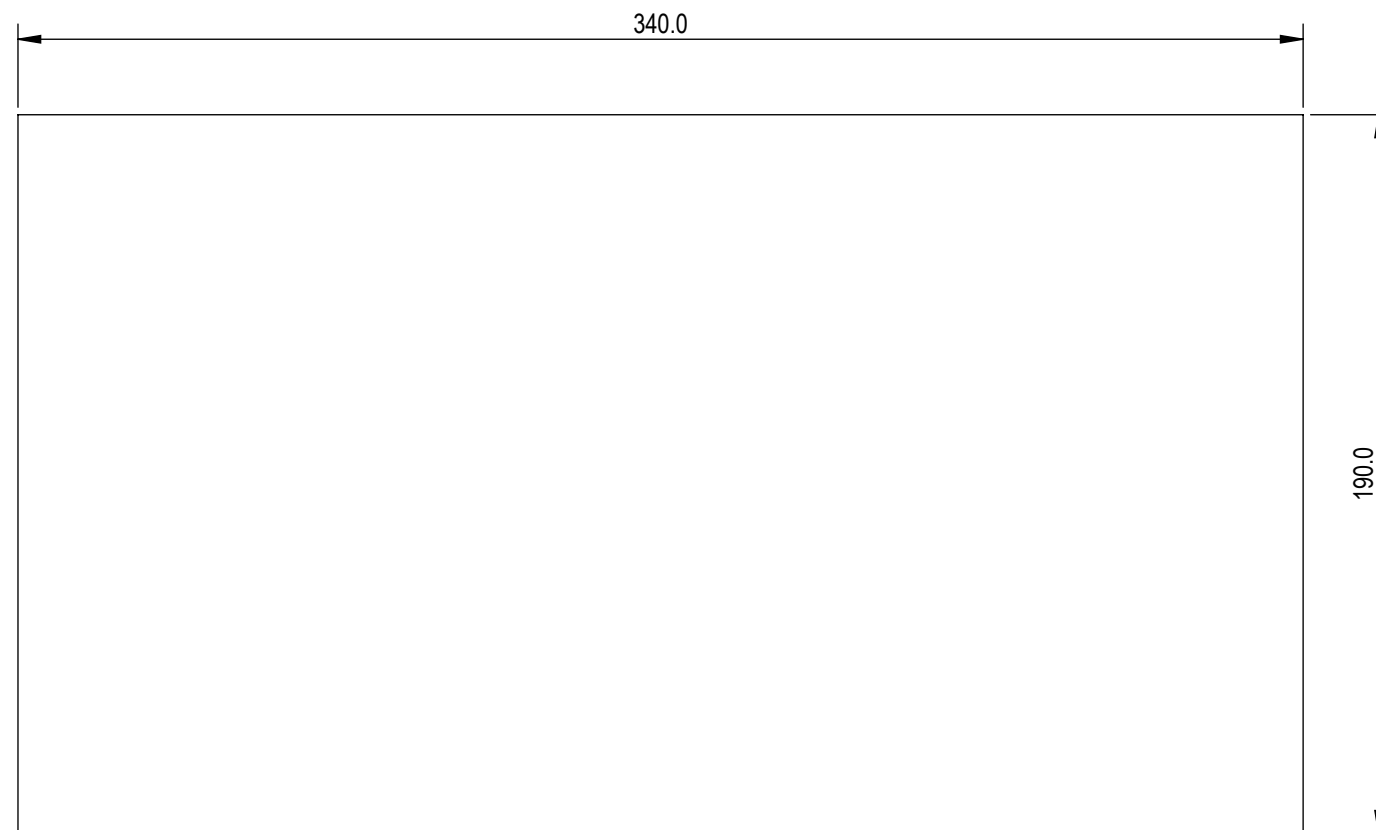
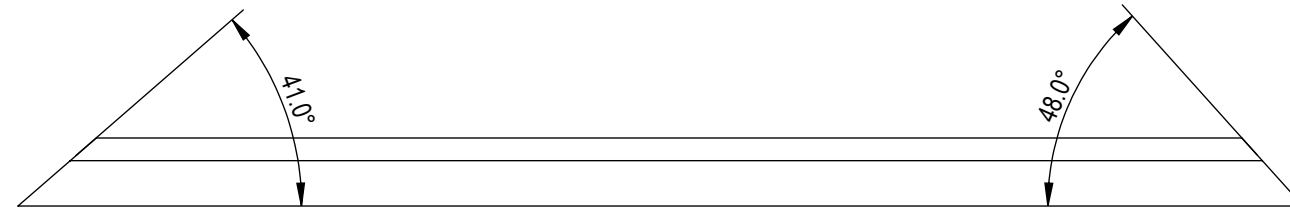
BOARD (H)
TOP BRACE



NOTE:

- All dimensions are before painting except depth
- Depth dimensions after painting should be same with drawing
- There is no defect on painting
- Paint thickness assumed 0.5 mm
- Left Cabinet shown and Right Cabinet is mirrored by Left Cabinet

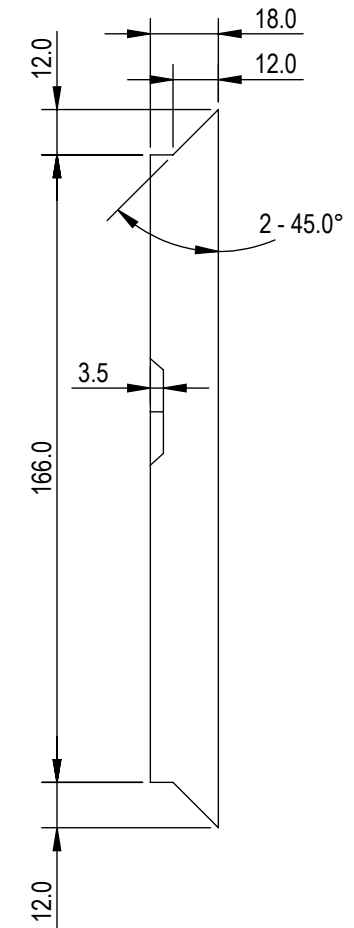
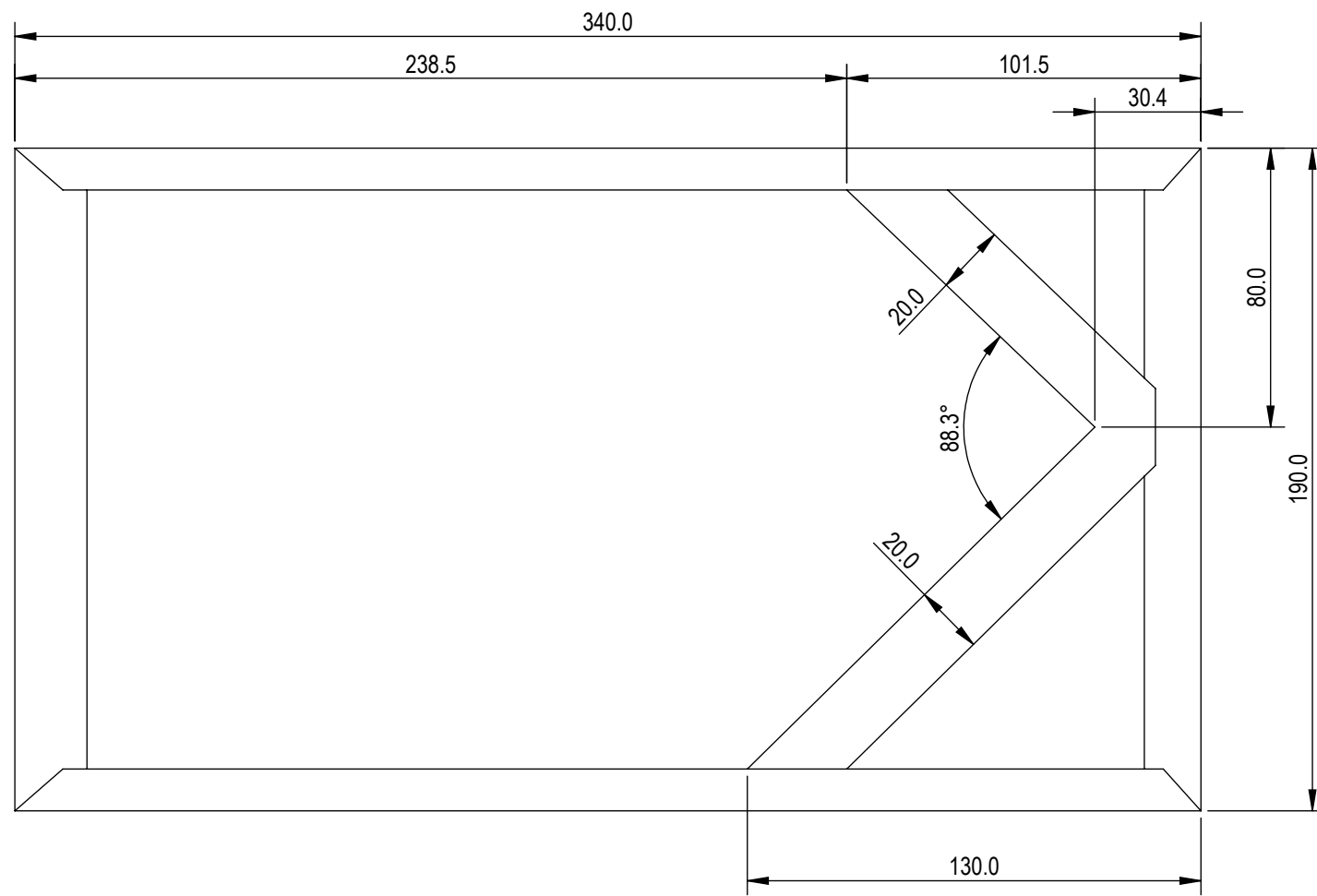
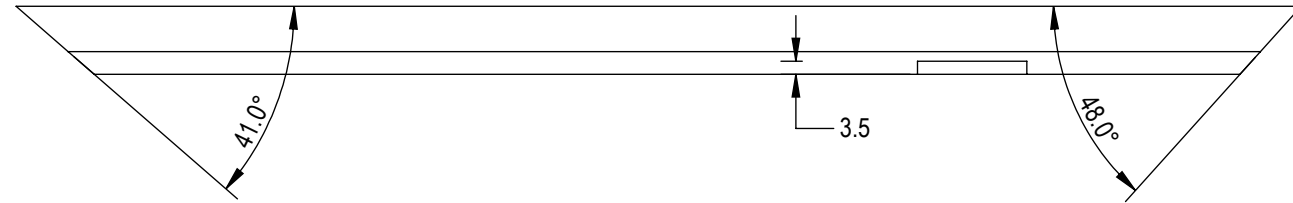
BOARD ①



NOTE:

- All dimensions are before painting except depth
- Depth dimensions after painting should be same with drawing
- There is no defect on painting
- Paint thickness assumed 0.5 mm
- Left Cabinet shown and Right Cabinet is mirrored by Left Cabinet

BOARD (J)



NOTE:

- All dimensions are before painting except depth
- Depth dimensions after painting should be same with drawing
- There is no defect on painting
- Paint thickness assumed 0.5 mm
- Left Cabinet shown and Right Cabinet is mirrored by Left Cabinet