

Model No.: XT25TG30-04
 Product Line: Tymphany

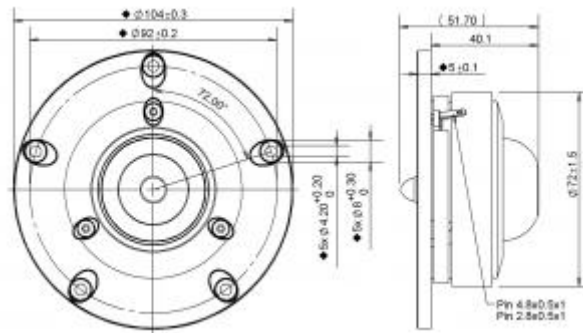
Rev: 1
 Last Update: 2017-04-25 14:32:09

Product Description

This member of the XT tweeter family utilizes two Tymphany technologies to deliver exceptional sound quality: the ring radiator patent, and the central waveguide patent. This model features a 4 ohm 25mm voice coil, mounted in a ferrite magnet motor. The tweeter also features a rear chamber to create extended low frequency response. The faceplate features recessed mounting holes which minimizes reflections off of mounting screws.



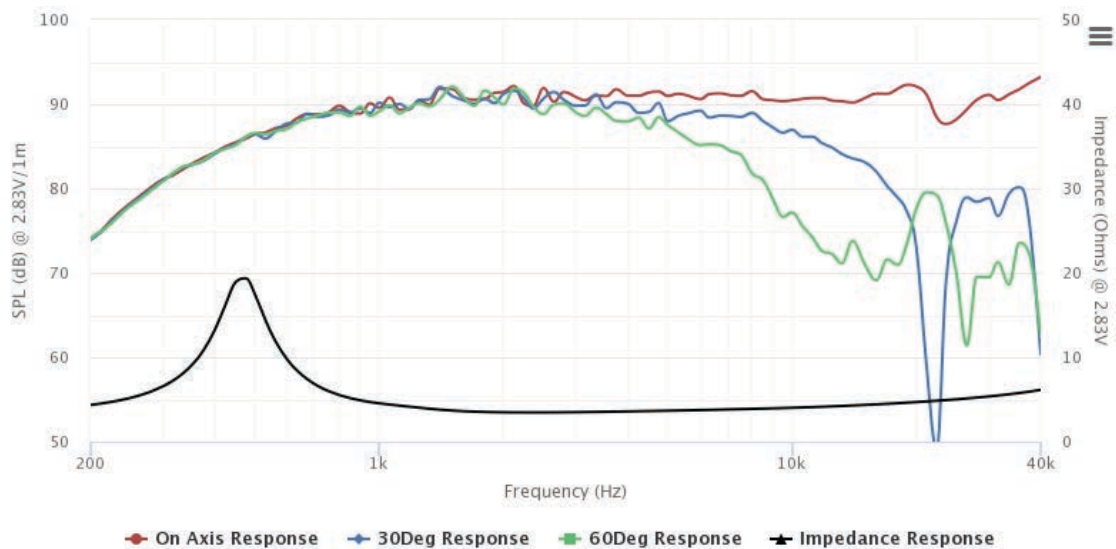
Mechanical Drawing



Specifications

| | | | | | | | |
|-------------------------------|-------------|--------|--------|-----------|----------------------------|------|---------------|
| DC Resistance | Revc | Ohms | 3 | 5.0% | Energy Bandwidth Product | EBP | (1/Qes)*fs |
| Minimum Impedance | Zmin | Ohms | 3.47 | 7.5% | Moving Mass | Mms | g |
| Voice Coil Inductance | Le | mH | 0.01 | | Suspension Compliance | Cms | um/N |
| Resonant Frequency | Fs | Hz | 436.13 | 15% | Effective Cone diameter | D | cm |
| Mechanical Q Factor | Qms | | 2.5 | | Effective Piston Area | Sd | cm^2 |
| Electrical Q Factor | Qes | | 0.54 | | Effective Volume | Vas | L |
| Total Q Factor | Qts | | 0.44 | | Motor Force Factor | BL | Tm |
| Ratio Fs/Qts | F | Fs/Qts | 988.97 | | Motor Efficiency Factor | β | (T*M^2)/Ohms |
| Half Space Sensitivity @2.83V | db@2.83V/1M | dB | 90.84 | +/- 1.0db | Voice coil former Material | VCfm | ASV |
| Half Space Sensitivity @1W/1M | db@1W/1M | dB | 87.2 | +/- 1.0db | Voice coil inner diameter | VCd | mm |
| Gap Height | Gh | mm | 3 | | Rated Noise Power | P | W |
| Maximum Linear Excursion | Xmax | mm | 0.5 | | Test Spectrum Bandwidth | | 400hz - 20khz |
| Ferrofluid Type | FF | | | | Driver Size | Inch | 25 mm |
| Driver Mass | Kg | | 0.5 | | | | |

Frequency and Impedance Response



Highcharts.com